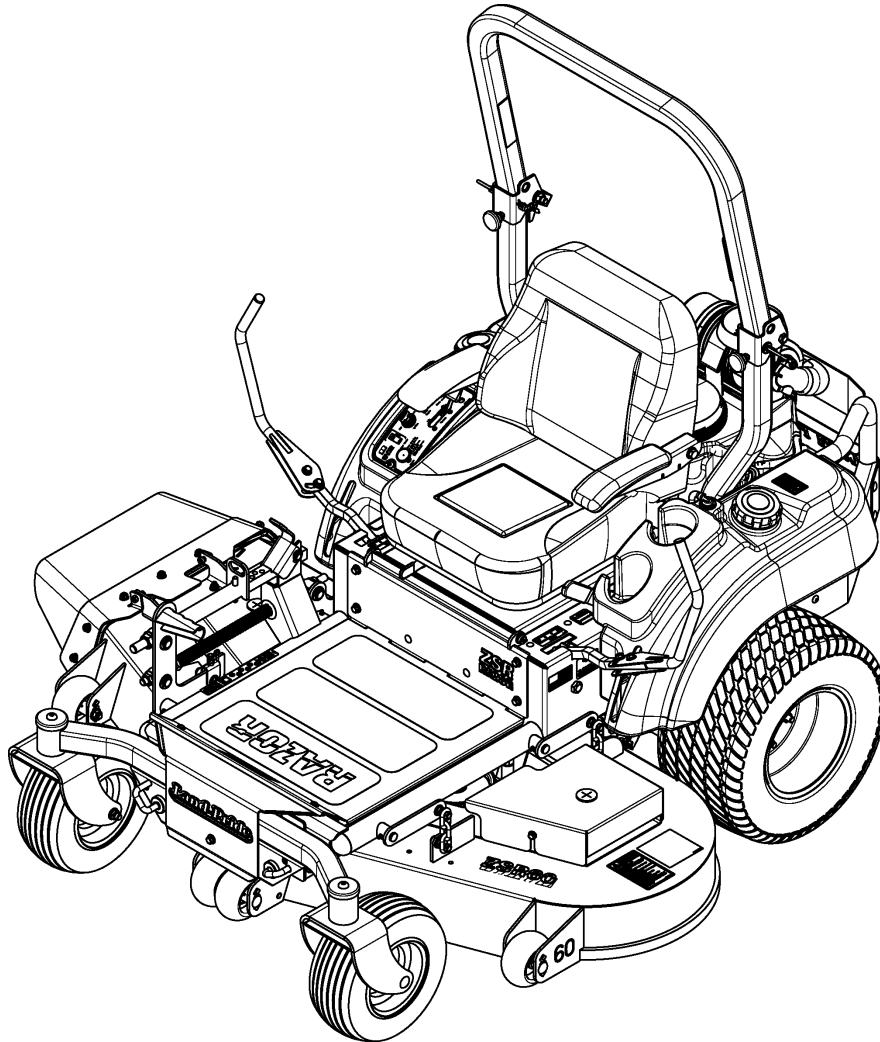


Zero Turn Mowers

ZSR54 & ZSR60 Accu-Z Razor®



27800

357-388P **Parts Manual**



Read the Operator's manual entirely. When you see this symbol, the subsequent instructions and warnings are serious - follow without exception. Your life and the lives of others depend on it!

© Copyright 2015 Printed 03/11/15

Cover photo may show optional equipment not supplied with standard unit.





Table of Contents

Section 1: Introduction.....	4
Using This Manual.....	4
Manual Replacement Information.....	4
Manual Revisions.....	4
Touch-up Paint.....	4
Hardware Legend.....	5
Replacement Hardware.....	5
Serial Numbers.....	5
Part Number Service Coding.....	5
Section 2: Main Frame, Seat & Bumper.....	6
Frame & Bumper.....	6
Rops Folding W/ Seat Belt.....	8
Seat & Footrest S/N 637189-.....	10
Seat & Footrest S/N 637190+.....	12
Section 3: Electrical, Levers & Transmission.....	14
Brake Park.....	14
Control Levers.....	16
Deck Lift.....	18
Electrical Components.....	20
Electrical Wiring Schematic Briggs Engine.....	22
Electrical Wiring Schematic Kawasaki Engine.....	24
Electrical Wiring Schematic Main Harness.....	26
Transmission Components (831-071C & 831-072C).....	28
Transmission to Frame Assembly.....	30
Section 4: Engine, Fuel & Air Cleaner.....	32
Air Cleaner Kawasaki 23.5 HP.....	32
Engine Assembly Briggs & Stratton 26 HP.....	34
Engine Assembly Kawasaki 23 HP.....	36
Engine Assembly Kawasaki 23.5 HP.....	38
Fuel System S/N 672163-.....	40
Fuel System S/N 672164+.....	42
Section 5: Wheels.....	44
Drive Wheels.....	44
Front Floating Wheels.....	46
Section 6: Deck.....	48
Deck Assembly ZSR.....	48
Deck Pulleys & Drive Belt ZSR.....	50
Section 7: Labels.....	52
Label Placement.....	52
Section 8: Accessories.....	54
Deck Lift Electric.....	54
Light Kit Z-Mowers.....	56
Mulch Kit.....	58
Soft Top Canopy.....	60
Part Number Index.....	62

© Copyright 2015. All rights reserved.

Land Pride provides this publication “as is” without warranty of any kind, either expressed or implied. While every precaution has been taken in the preparation of this manual, Land Pride assumes no responsibility for errors or omissions. Neither is any liability assumed for damages resulting from the use of the information contained herein. Land Pride reserves the right to revise and improve its products as it sees fit. This publication describes the state of this product at the time of its publication, and may not reflect the product in the future. The illustrations in this manual are not intended for safe and proper assembly or disassembly of equipment. The illustrations are intended for ordering parts only.

Land Pride is registered trademark.

All other brands and product names are trademarks or registered trademarks of their respective holders.

Printed in the United States of America.



Alphabetized Table of Contents

A	
Air Cleaner Kawasaki 23.5 HP.....	32
B	
Brake Park.....	14
C	
Control Levers.....	16
D	
Deck Assembly ZSR.....	48
Deck Lift.....	18
Deck Lift Electric.....	54
Deck Pulleys & Drive Belt ZSR.....	50
Drive Wheels.....	44
E	
Electrical Components.....	20
Electrical Wiring Schematic Briggs Engine.....	22
Electrical Wiring Schematic Kawasaki Engine.....	24
Electrical Wiring Schematic Main Harness.....	26
Engine Assembly Briggs & Stratton 26 HP.....	34
Engine Assembly Kawasaki 23 HP.....	36
Engine Assembly Kawasaki 23.5 HP.....	38
F	
Frame & Bumper.....	6
Front Floating Wheels.....	46
Fuel System S/N 672163-.....	40
Fuel System S/N 672164+.....	42
L	
Label Placement.....	52
Light Kit Z-Mowers.....	56
M	
Mulch Kit.....	58
R	
Rops Folding W/ Seat Belt.....	8
S	
Seat & Footrest S/N 637189-.....	10
Seat & Footrest S/N 637190+.....	12
Soft Top Canopy.....	60
T	
Transmission Components (831-071C & 831-072C).....	28
Transmission to Frame Assembly.....	30

General Information

Using This Manual

This manual is divided into sections. The first section contains General Information. The remaining sections divide the machine into segments (i.e. Frames, Drives, Hydraulics, etc.) which illustrate and list all parts. A Parts Number Index is located at the back of the book.

The Land Pride parts in this manual are specially designed for this machine and should be replaced with Land Pride parts only.

The information in this manual is current at time of printing. Some parts may change to assure top performance.

Right-hand and left-hand as used in this manual are determined by facing the direction the machine will travel while in use.

Below is an example of two facing pages from a parts manual. Familiarize yourself with the type of information contained on these pages.

Manual Replacement Information

Replacement manuals are available. Refer to our website at www.landpride.com or e-mail us at lit@landpride.com for additional information. Our website continues to provide the most up-to-date manuals available.

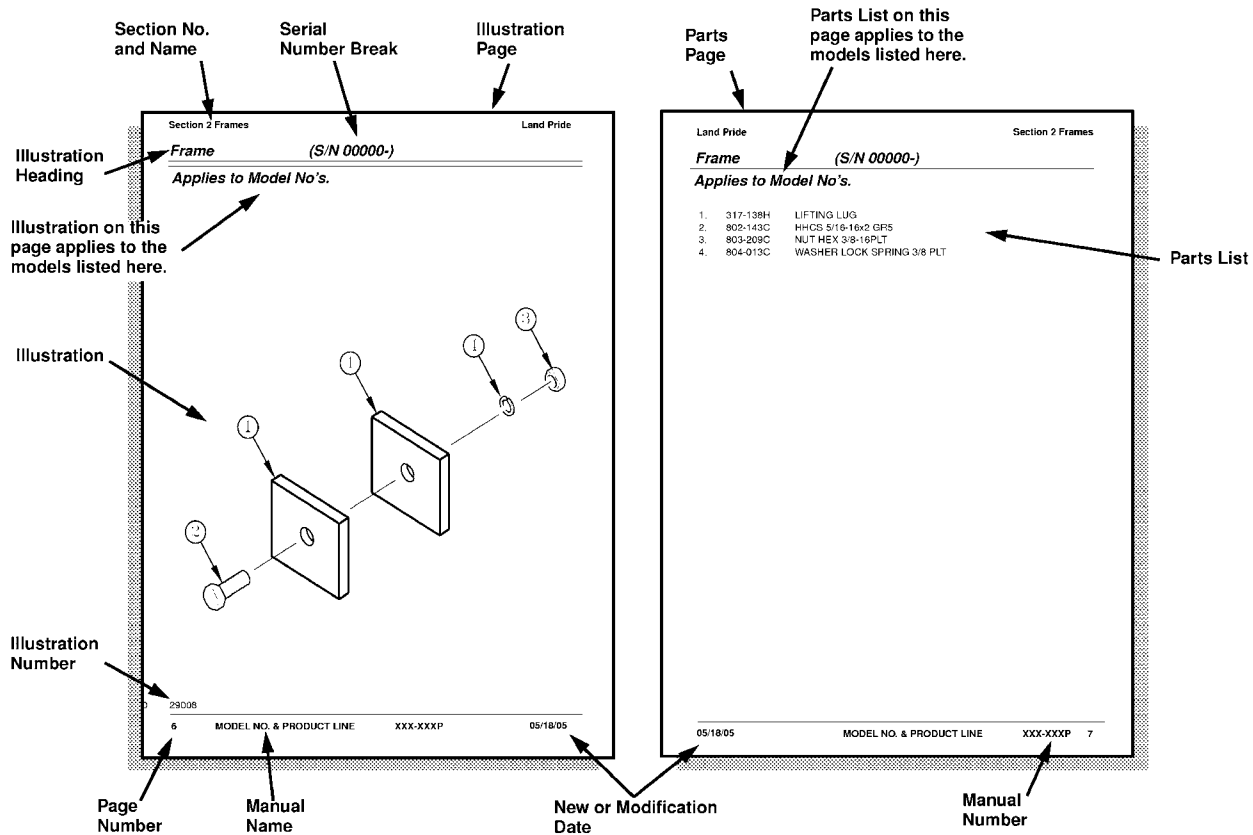
Touch-up Paint

Repaint parts where paint is worn or scratched to prevent rust. Aerosol cans and touch-up bottles with brush applicator are available through your local dealer. Land Pride color descriptions and part numbers are listed below. Also available are quart and gallon size paints. Add QT or GL to end of the Aerosol P/N.

Color	Product*	Aerosol	Touch-Up
Gloss Black	LP	821-032C	821-032CTU
Beige	LP	821-011C	821-011CTU
Green	SLP	821-058C	821-058CTU
Orange	SLP	821-066C	821-066CTU
Red	SLP	821-054C	821-054CTU
Blue	SLP	821-067C	821-067CTU

Notes:

- * LP = All Land Pride Products
- SLP = Select Land Pride Products that are available in optional Green, Orange and Red.



General Information

Hardware Legend

AR	As Required
BLADE	Blade Bolt
C	Cap Screw
CP	Cotter Pin
CPHSSS	Cup Point Hex Socket Set Screw
CPSHSS	Cup Point Square Head Set Screw
CPSQHSS	Cup Point Square Head Set Screw
CRFCHMS3	Cross Recess Flat Countersunk Head Machine Screw
CRPHMS	Cross Recess Pan Head Machine Screw
CRPHTF	Cross Recess Pan Head Thread Forming
CRRHMS	Cross Recess Round Head Machine Screw
CRTHMS	Cross Recess Truss Head Machine Screw
CSNB	Countersunk Square Neck Bolt
FHMS	Flat Head Machine Screw
FTC	Full Thread Cap Screw
H	Hex Nut
HCLN	Hex Center Lock Nut
HFLCS	Hex Flange Lock Cap Screw
HFS	Hex Flange Screw
HFSLN	Hex Flange Serrated Lock Nut
HFSS	Hex Flange Serrated Screw
HHCS	Hex Head Cap Screw or Metric Bolt
HSBHCS	Hex Socket Button Head Cap Screw
HSFCHCS	Hex Socket Flat Countersunk Head Cap Screw
HSHCS	Hex Socket Head Cap Screw
HSSS	Hex Socket Head Screw
HTLN	Hex Top Lock Nut
HWHCS	Hex Washer Head Cap Screw

HWHMS	Hex Washer Head Machine Screw
HXBHCS	Hex Socket Button Head Cap Screw
J	Hex Jam Nut
JIC	37 Degree Tapered Thread
L	Helical Spring Lock Washer
LUG	Lug Bolt
NFC	National Fine Cap Screw
NPSM	National Pipe Straight Mechanical
NPTF	National Pipe Taper Fuel
P	Wide Plain Washer
PHMS	Pan Head Machine Screw
PLOW	Plow Bolt
RHMS	Round Head Machine Screw
RHSNB	Round Head Square Neck Bolt
SCREW LEVELING	Leveling Screw
SCREW THUMB	Thumb Screw
SCREW WELD	Weld Screw
SFCHMS	Slotted Flat Countersunk Head Machine Screw
SFHMS	Slotted Fillister Head Machine Screw
SP	Special
SP SCREW	Special Screw
SQHSS	Square Head Set Screw
SRHMS	Slotted Round Head Machine Screw
SSS	Socket Set Screw
STCS	Self Tapping Cap Screw
STHMS	Slotted Truss Head Machine Screw
WHEEL	Wheel Studs and Hub Long Bolts
WING	Wing Bolt

Replacement Hardware

The **Hardware Legend** above lists hardware abbreviations used in the parts list. All bolts and nuts are Grade 5 unless otherwise noted. The use of improper grades of hardware can result in personal injury, damage to equipment, or loss of property.

Colored Replacement Parts

Land Pride offers replacement parts in factory standard colors and also on select models in Green, Orange, Red and Blue. Because of the variety of colors available, special attention must be given to the part number to prevent ordering the wrong replacement part.

A suffix number corresponding to one of the colors below must be added at the end of Land Pride's part number when ordering a replacement part with that color.

81 Green 83 Red
82 Orange 84 Blue

For example, if you are ordering a replacement part with part number 555-555C and the part you need is red, then add the suffix 83 to the end of the number to make the part number read 555-555C83. Parts ordered without a suffix number will be supplied in factory standard colors.

Black Replacement Parts

Some parts are factory standard black and some must be special ordered black. If your part is special ordered black, a second part number with the additional suffix number 85 on the end will be available. In this situation you must order that part with the suffix number for it to be black. Parts that are factory standard black will not have the suffix number.

Part Number Service Coding

Within the parts list some part numbers are coded for revisions and interchangeability. See notations in revision column.

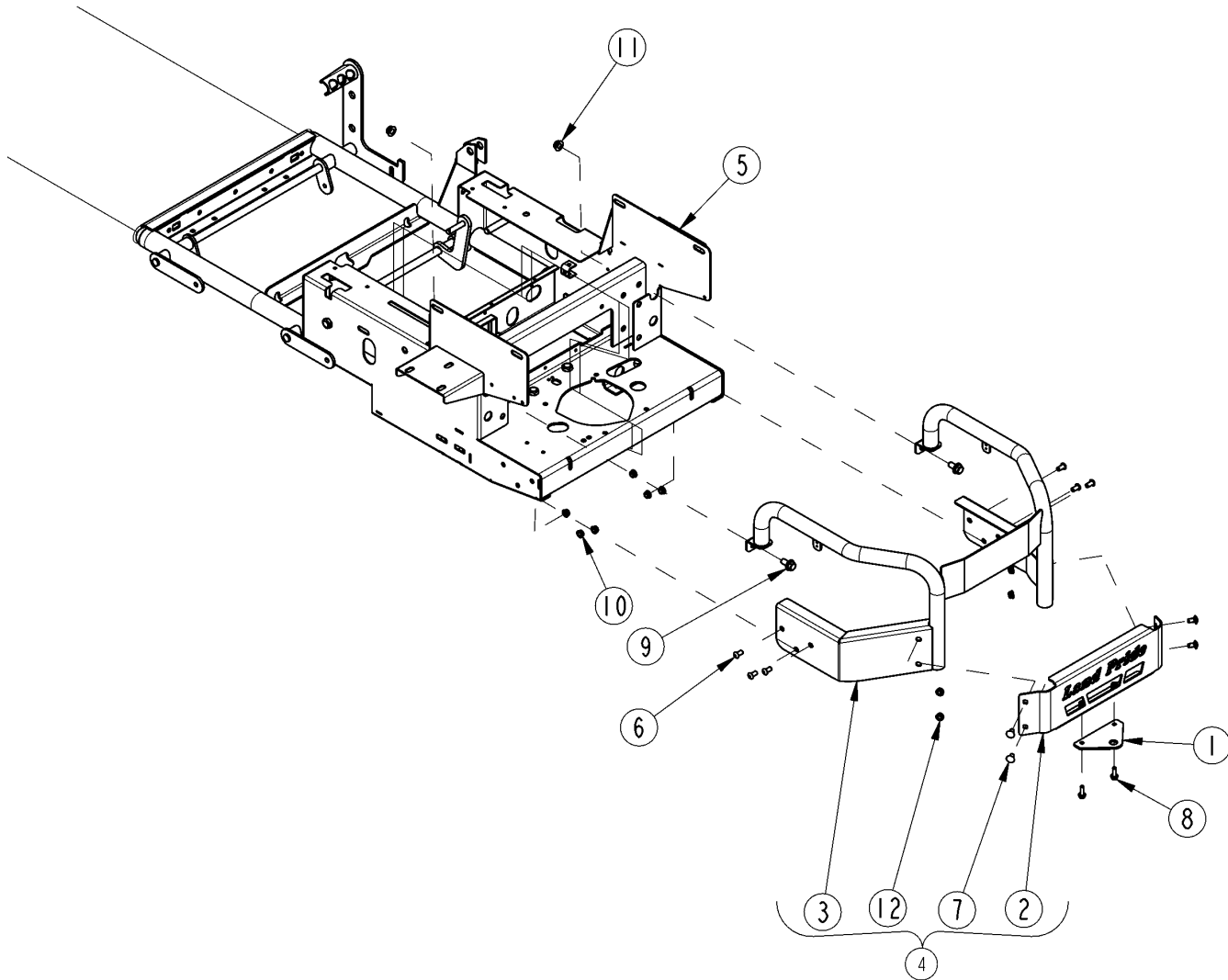
Serial Numbers

Always use the serial and model number when ordering parts. Refer to the Operator's Manual for serial number plate location.

- (S/N 20001+) Includes serial numbers 20001 and above (to the latest number)
- (S/N 10001 to 20000) Includes serial numbers between and including 10001 and 20000
- (S/N 10000-) Includes serial numbers 10000 and below (to the earliest number)

Frame & Bumper

Applies to RAZOR ZSR54, RAZOR ZSR60



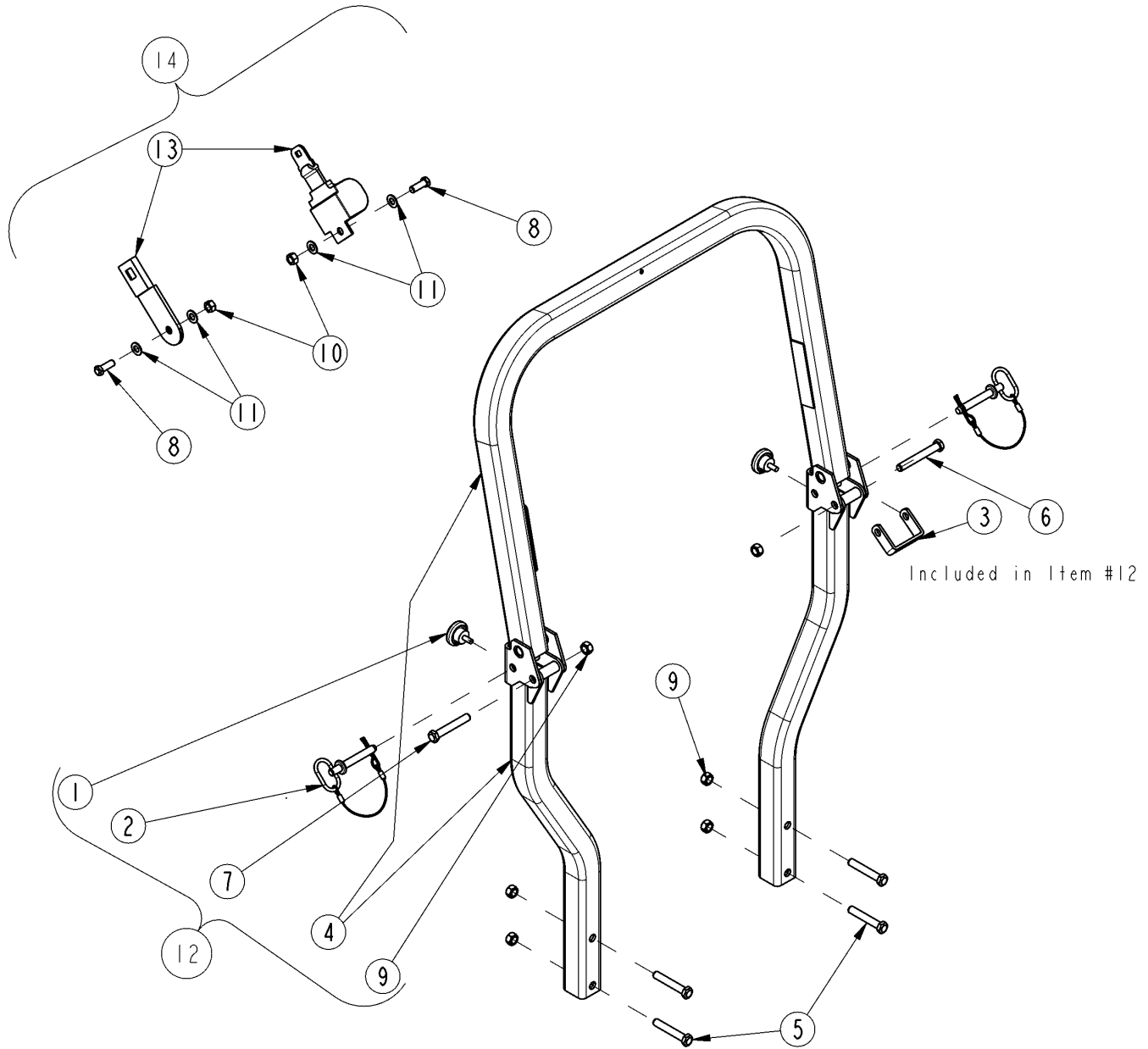
27744

Frame & Bumper**Applies to RAZOR ZSR54, RAZOR ZSR60**

Ref	Part No.	Part Description	Comments	Revision
	dwg27744	Drawing Image Number		
1.	357-179D	HITCH, BUMPER	Optional on S/N 664679+ Standard on S/N 664678-	
2.	357-186V	BUMPER, CTR SECT W/NUTZERTS		
3.	357-239H	WMT, ENGINE GUARD		
4.	357-240S	ASY, ENGINE GUARD		
5.	357-317H	FRAME WELDMENT, RAZOR		
6.	801-078C	SCR HX SKT BUT CP 3/8-16X3/4		
7.	802-149C	RHSNB 3/8-16X3/4 GR5		
8.	802-431C	HFSS 5/16-18X1 GR5 PLT	Optional on S/N 664679+ Standard on S/N 664678-	
9.	802-568C	HFSS 1/2-13X1 GR5		
10.	803-068C	NUT HEX FLANGE 3/8-16 PLT		
11.	803-169C	NUT HEX FLG. LOCK 1/2-13 PLT.		
12.	803-209C	NUT FLANGE LOCK 3/8-16 PLT		

Rops Folding W/ Seat Belt

Applies to RAZOR ZSR54, RAZOR ZSR60



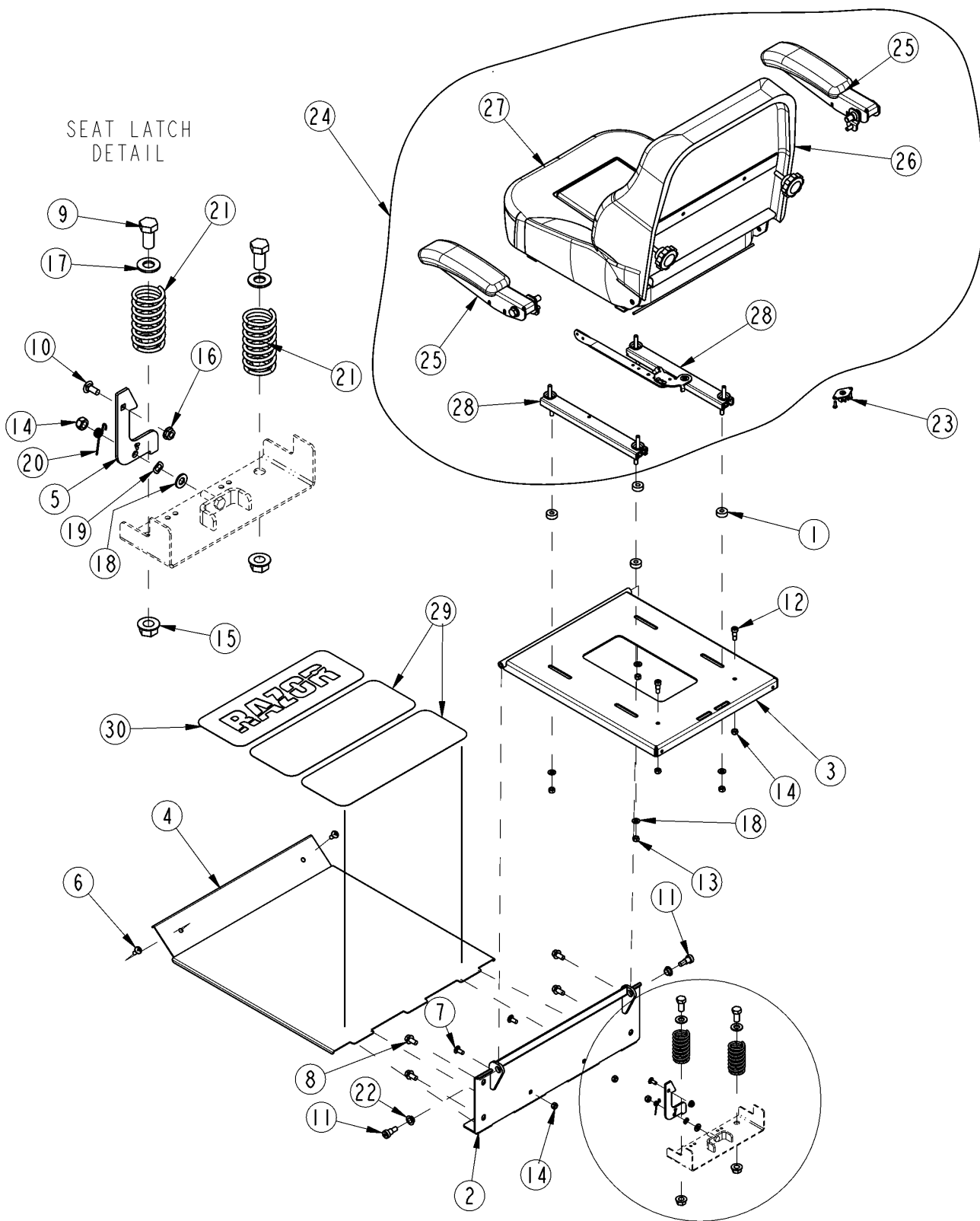
Rops Folding W/ Seat Belt

Applies to RAZOR ZSR54, RAZOR ZSR60

Ref	Part No.	Part Description	Comments	Revision
	dwg27799	Drawing Image Number		
1.	230024700	LOCKING KNOB		
2.	230321672	PIN, ROPS HINGE		
3.	711935272	ROPS STOP		
4.	N/A	FOLDING ROPS		
5.	802-039C	HHCS 1/2-13X3 GR5		
6.	802-042C	HHCS 1/2-13X3 3/4 GR5		
7.	802-099C	HHCS 1/2-13X3 1/4 GR5		
8.	802-227C	HHCS 7/16-20X1 1/4 GR8		
9.	803-019C	NUT LOCK 1/2-13 PLT		
10.	803-333C	NUT HEX NYLOCK 7/16-20 PLT		
11.	804-041C	WASHER FLAT 7/16 SAE PLT		
12.	823-391C	ASY, RAZOR FOLDING ROPS ISO	S/N 692615+	
12.	823-302C	RPBY 823-391C	S/N 692614-	
13.	840-272C	SEAT BELT RETRACTABLE		
14.	357-420A	KIT, Z-MWRS RTRCTABLE SEAT BLT		

Seat & Footrest S/N 637189-

Applies to RAZOR ZSR54, RAZOR ZSR60



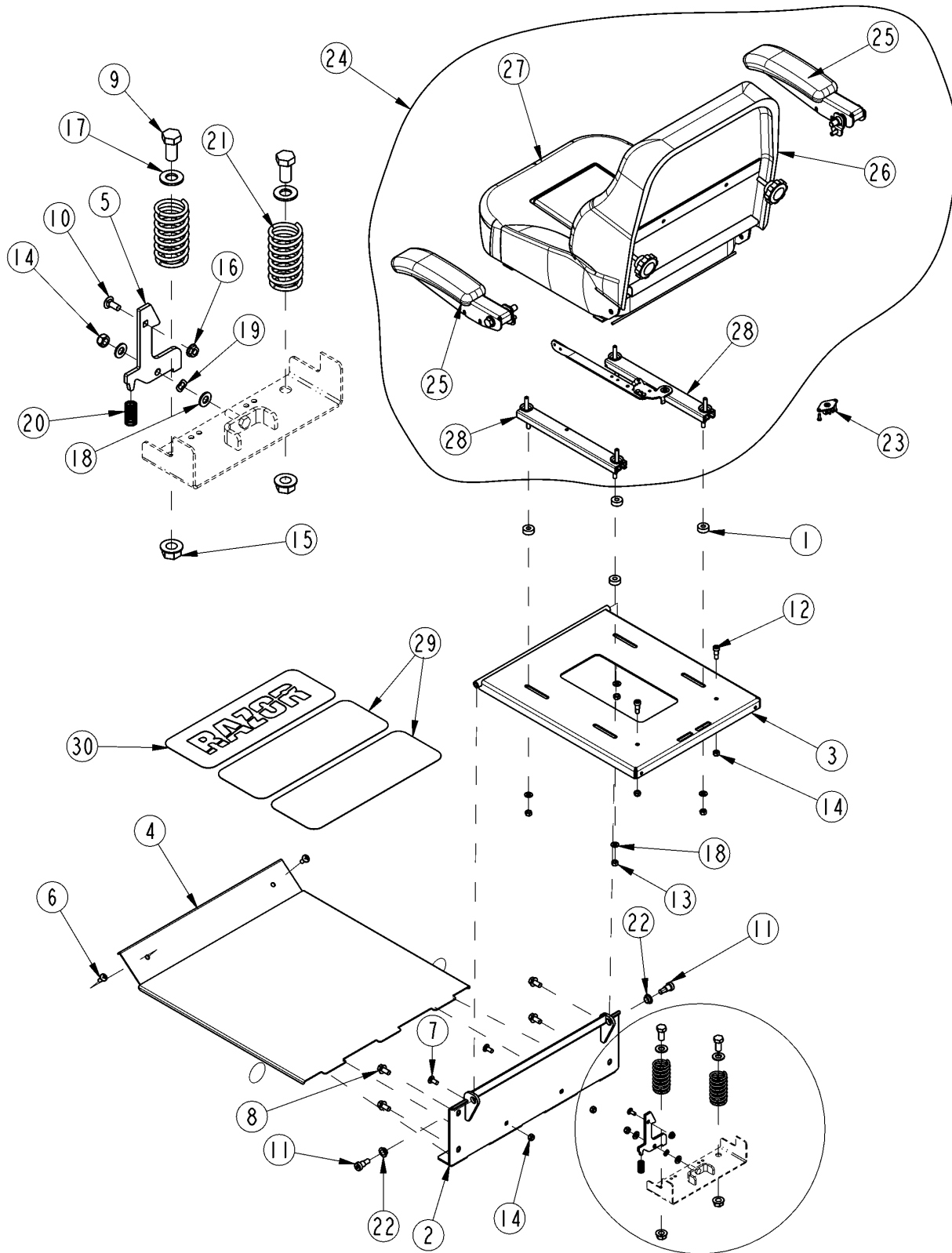
27743

Seat & Footrest S/N 637189-**Applies to RAZOR ZSR54, RAZOR ZSR60**

Ref	Part No.	Part Description	Comments	Revision
	dwg27743	Drawing Image Number		
1.	356-074D	SPCR DELUXE SEAT MNT RAZOR PRO		
2.	357-314H	PEDESTAL FRONT, RAZOR		
3.	357-315H	SEAT PAN, RAZOR		
4.	357-783D	FLOOR PAN		
5.	357-852D	SEAT LATCH ARM	If This Part Is Ordered Replace With 357-407A	
6.	801-202C	TPHMS Y 5/16-18X3/4 ZNYCR		
7.	802-092C	RHSNB 5/16-18X3/4 GR5		
8.	802-185C	HFSS 3/8-16X3/4 LG		
9.	802-258C	HHCS 1/2-13X1 GR5		
10.	802-633C	RHSNB 1/4-20X5/8 PLT		
11.	802-747C	SHLDR BLT 1/2DX1/2L 3/8-16 SS		
12.	802-794C	SHOULDER BOLT 3/8X1/2X5/16-18		
13.	803-011C	NUT LOCK 5/16-18 PLT		
14.	803-084C	NUT HEX NYLOCK 5/16-18 PLT		
15.	803-169C	NUT HEX FLG LOCK 1/2-13 PLT		
16.	803-230C	NUT HEX FLANGE 1/4-20 PLT		
17.	804-016C	WASHER FLAT 1/2 SAE PLT		
18.	804-036C	WASHER FLAT 5/16 SAE PLT		
19.	804-056C	WASHER WAVE SPRING 5/16		
20.	807-221C	SPRING TORSION .054 WIRE		
21.	807-288C	SPRG 1.55ODX1.65WX3.5L SEATPAN		
22.	817-560C	BSHG FLG .50IDX.62ODX.31L		
23.	839-148C	OPERATOR PRESENCE SWITCH KIT		
24.	839-320C	SEAT BLACK DELUXE CUSHION		
25.	839-385C	SKING ARM REST KIT		
26.	839-411C	SKING BACK SEAT COVER		
27.	839-416C	SKING BOTTOM SEAT COVER		
28.	839-971C	KY SEAT TRACK (PAIR) 839-320C		
29.	840-262C	TREAD, FLOOR PANEL		
30.	840-310C	TREAD, RAZOR FLOOR PANEL		

Seat & Footrest S/N 637190+

Applies to RAZOR ZSR54, RAZOR ZSR60



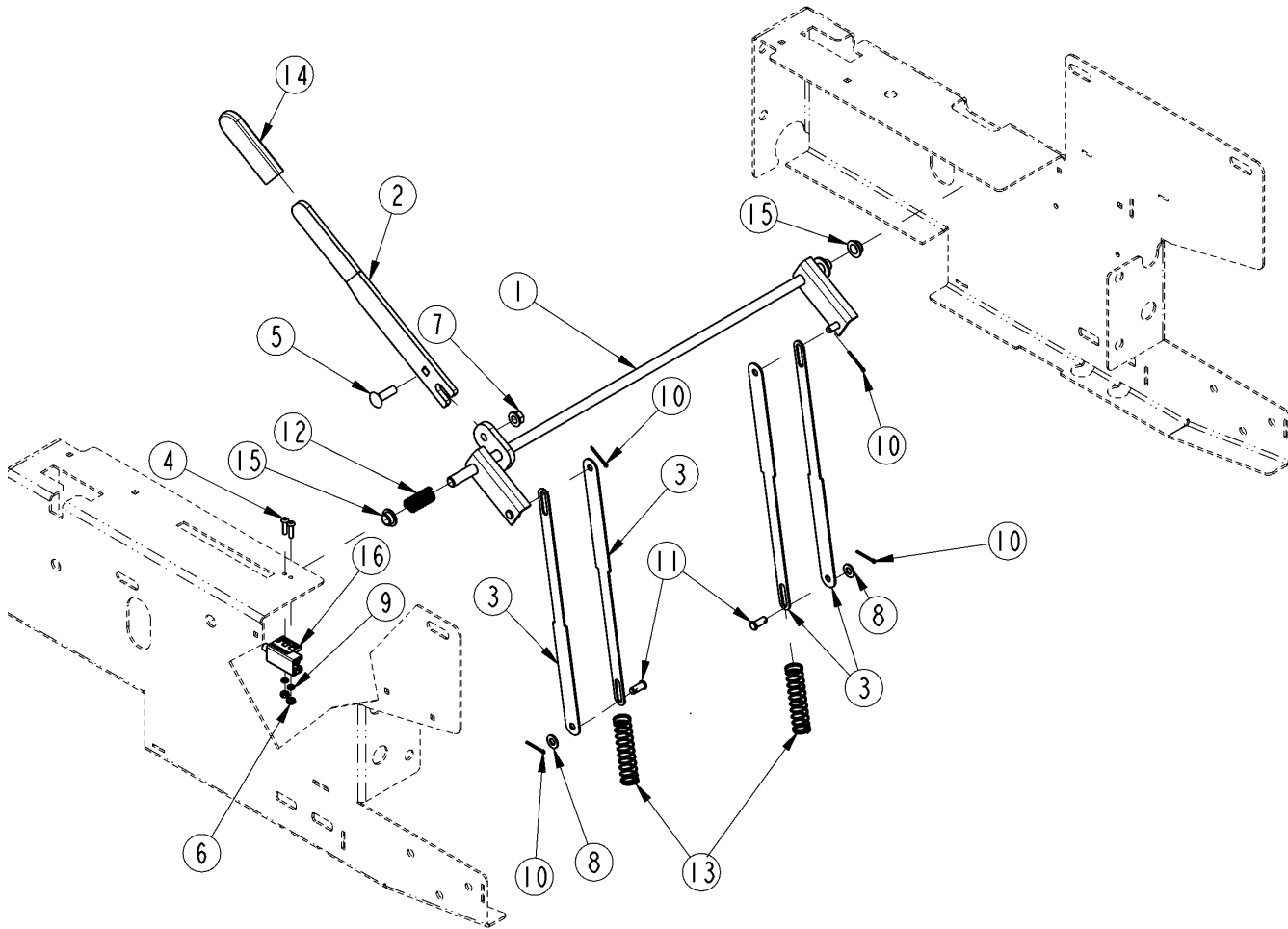
30035

Seat & Footrest S/N 637190+**Applies to RAZOR ZSR54, RAZOR ZSR60**

Ref	Part No.	Part Description	Comments	Revision
	dwg30035	Drawing Image Number		
1.	356-074D	SPCR DELUXE SEAT MNT RAZOR PRO		
2.	357-314H	PEDESTAL FRONT, RAZOR		
3.	357-315H	SEAT PAN, RAZOR		
4.	357-783D	FLOOR PAN		
5.	357-852D	SEAT LATCH ARM		
6.	801-202C	TPHMS Y 5/16-18X3/4 ZNYCR		
7.	802-092C	RHSNB 5/16-18X3/4 GR5		
8.	802-185C	HFSS 3/8-16X3/4 LG		
9.	802-258C	HHCS 1/2-13X1 GR5		
10.	802-633C	RHSNB 1/4-20X5/8 PLT		
11.	802-747C	SHLDR BLT 1/2DX1/2L 3/8-16 SS		
12.	802-794C	SHOULDER BOLT 3/8X1/2X5/16-18		
13.	803-011C	NUT LOCK 5/16-18 PLT		
14.	803-084C	NUT HEX NYLOCK 5/16-18 PLT		
15.	803-169C	NUT HEX FLG LOCK 1/2-13 PLT		
16.	803-230C	NUT HEX FLANGE 1/4-20 PLT		
17.	804-016C	WASHER FLAT 1/2 SAE PLT		
18.	804-036C	WASHER FLAT 5/16 SAE PLT		
19.	804-056C	WASHER WAVE SPRING 5/16		
20.	807-096C	SPRING COMP 1/2 OD X 1 LG		
21.	807-288C	SPRG 1.55ODX1.65WX3.5L SEATPAN		
22.	817-560C	BSHG FLG .50IDX.62ODX.31L		
23.	839-148C	OPERATOR PRESENCE SWITCH KIT		
24.	839-320C	SEAT BLACK DELUXE CUSHION		
25.	839-385C	SKING ARM REST KIT		
26.	839-411C	SKING BACK SEAT COVER		
27.	839-416C	SKING BOTTOM SEAT COVER		
28.	839-971C	KY SEAT TRACK (PAIR) 839-320C		
29.	840-262C	TREAD, FLOOR PANEL		
30.	840-310C	TREAD, RAZOR FLOOR PANEL		

Brake Park

Applies to RAZOR ZSR54, RAZOR ZSR60



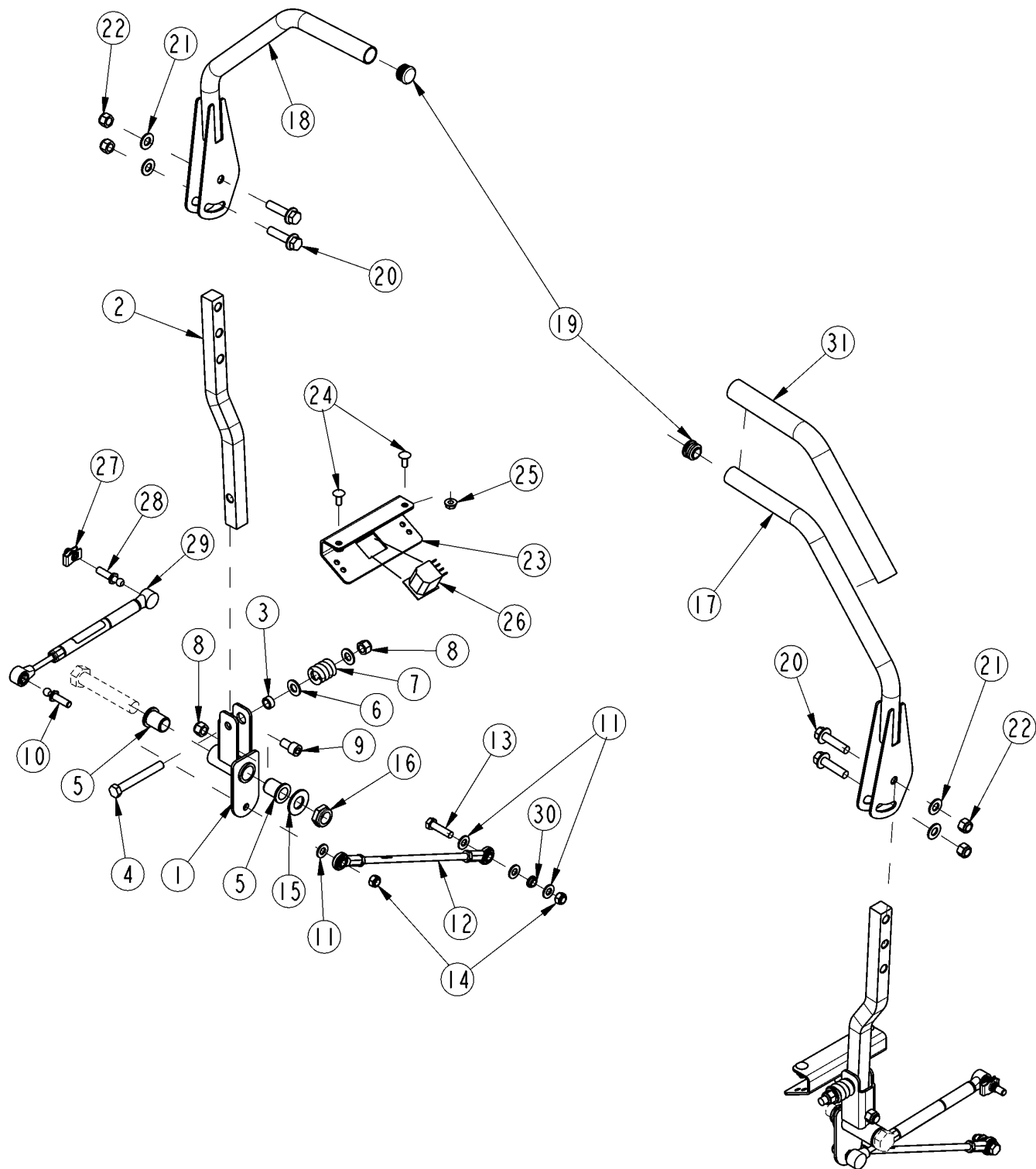
27749

Brake Park**Applies to RAZOR ZSR54, RAZOR ZSR60**

Ref	Part No.	Part Description	Comments	Revision
	dwg27749	Drawing Image Number		
1.	357-324H	PARK LEVER PIVOT ASSY		
2.	357-728D	PARK BRAKE HANDLE		
3.	357-759D	PARK BRAKE LINK		
4.	801-225C	HSBHCS #10-24 X 3/4		
5.	802-155C	RHSNB 3/8-16X1 1/4 GR5		
6.	803-001C	NUT HEX 10-24 PLT		
7.	803-209C	NUT FLANGE LOCK 3/8-16 PLT		
8.	804-036C	WASHER FLAT 5/16 SAE PLT		
9.	804-054C	WASHER LOCK #10		
10.	805-063C	PIN COTTER 3/32 X 1 LONG		
11.	805-400C	PIN CLEVIS 5/16 X 3/4 PLT		
12.	807-119C	SPRING COMP .72 X 1.5 X .072WD		
13.	807-244C	SPRING COMP .85DX3.5L X .068W		
14.	817-246C	GRIP HANDLE .84 ID X 4 LG		
15.	817-560C	BSHG FLG .50IDX.62ODX.31L		
16.	833-341C	SWITCH, 2-POLE 12V 5A PLUNGER		

Control Levers

Applies to RAZOR ZSR54, RAZOR ZSR60



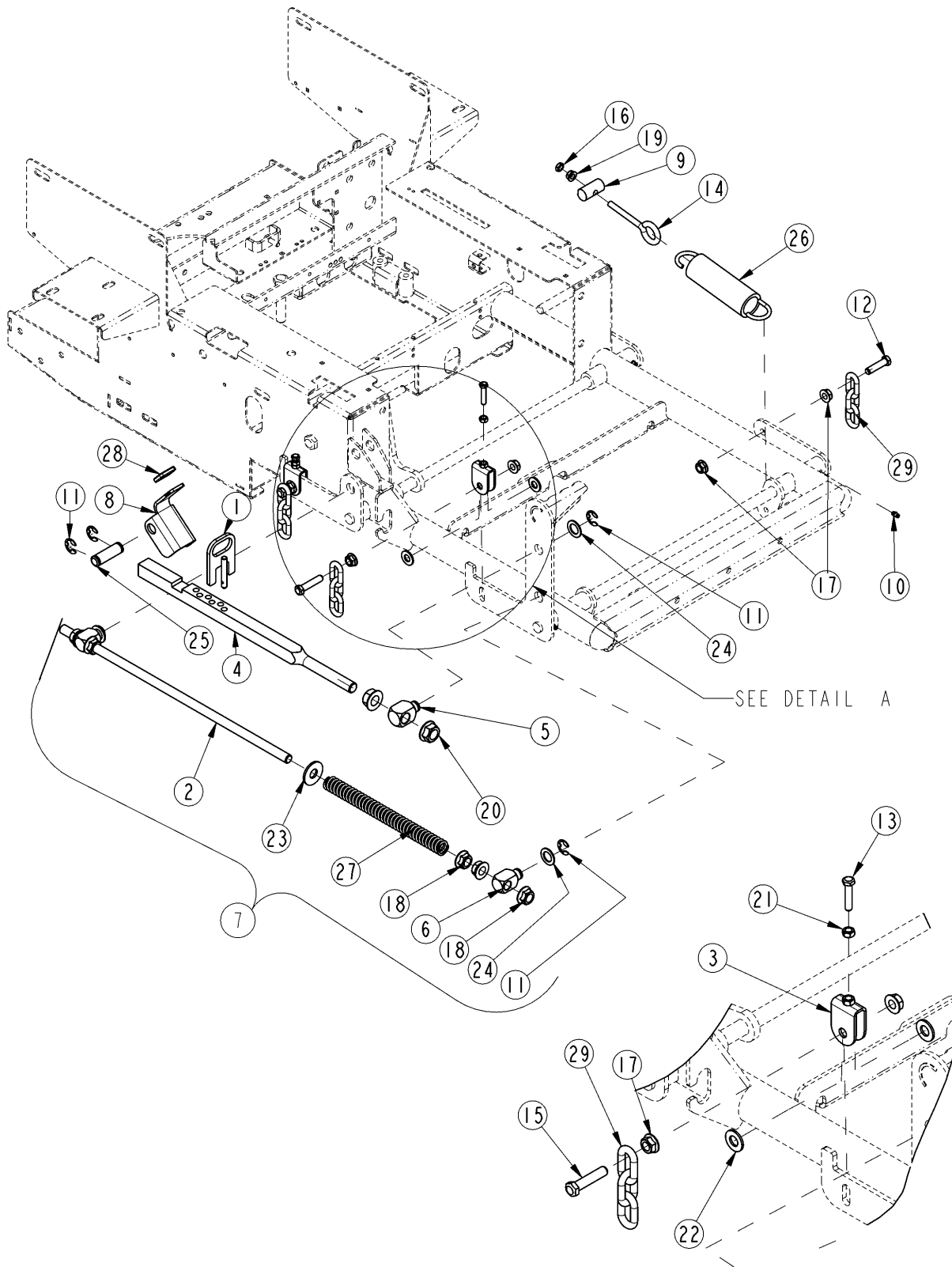
27745

Control Levers**Applies to RAZOR ZSR54, RAZOR ZSR60**

Ref	Part No.	Part Description	Comments	Revision
	dwg27745	Drawing Image Number		
1.	357-322H	PIVOT ARM, STEERING		
2.	357-403D	BAR,DRIVE CONTROL STUB		
3.	357-756D	BUSHING, .397ID X .75OD		
4.	802-024C	HHCS 3/8-16X3 GR5		
5.	817-028C	DOUBLE DISK ARM PIVOT BUSHINGS		
6.	804-012C	WASHER FLAT 3/8 SAE PLT		
7.	807-280C	SPRING COMP .905OD .24W 1.22L		
8.	803-078C	NUT LOCK 3/8-16 NYLON INSERT		
9.	802-889C	HSHCS 3/8-16X5/8 GR5 BLK		
10.	800-383C	BALL STUD 10MM X 5/16-18 UNC		
11.	804-036C	WASHER FLAT 5/16 SAE PLT		
12.	890-957C	ROD ASSY,DRIVE CONTROL		
13.	802-010C	HHCS 5/16-18X1 1/4 GR5		
14.	803-084C	NUT HEX NYLOCK 5/16-18 PLT		
15.	804-021C	WASHER FLAT 5/8 SAE PLT		
16.	803-094C	NUT 5/8-11 NYLON COLLAR THIN	S/N 643615+	
16.	803-148C	NUT HEX NYLOCK 5/8-11 PLT	S/N 643614- (Sub With 803-094C)	
17.	357-002H	LEVER AY, DRIVE CONTROL LH		
18.	357-042H	LEVER AY, DRIVE CONTROL RH		
19.	817-618C	CAPLUG, CCF-7/8-14-20 BLACK		
20.	802-569C	HFSS 3/8-16X1 1/2 GR5		
21.	804-012C	WASHER FLAT 3/8 SAE PLT		
22.	803-078C	NUT LOCK 3/8-16 NYLON INSERT		
23.	357-851D	MOUNT, NEUTRAL SWITCH		
24.	802-633C	RHSNB 1/4-20X5/8 PLT		
25.	803-230C	NUT HEX FLANGE 1/4-20 PLT		
26.	833-503C	SWITCH, 2 POLE 12 V PLUNGER		
27.	800-120C	NUT CLIP U-TYPE 5/16-18		
28.	800-383C	BALL STUD 10MM X 5/16-18 UNC		
29.	891-140C	DAMPER, DRIVE CONTROL		
30.	817-755C	BSHG FLG .31IDX.44ODX.19L		
31.	816-461C	GRIP, DRIVE CONTROL LEVER		

Deck Lift

Applies to RAZOR ZSR54, RAZOR ZSR60



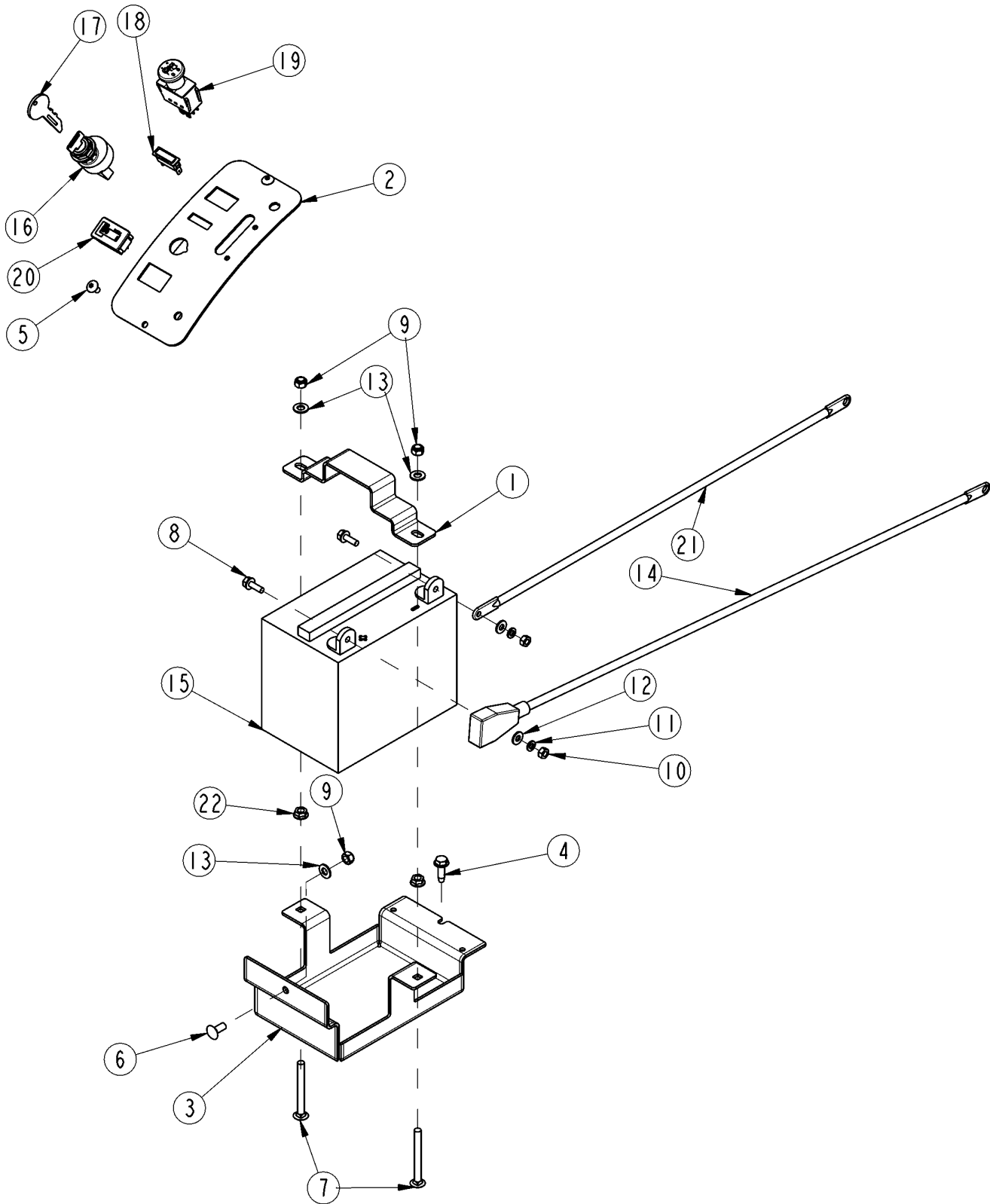
27746

Deck Lift**Applies to RAZOR ZSR54, RAZOR ZSR60**

Ref	Part No.	Part Description	Comments	Revision
	dwg27746	Drawing Image Number		
1.	357-001H	STOP AY, DECK HEIGHT		
2.	357-002D	ROD, DECK LIFT		
3.	357-009H	YOKE AY, DECK LIFT ADJUSTING		
4.	357-019D	BAR, DECK HEIGHT GAGE		
5.	357-020D	TRUNION, 3/4 DECK LIFT		
6.	357-021D	TRUNION, 5/8 DECK LIFT		
7.	357-089S	DECK LIFT SPRING ASSY		
8.	357-149D	PAWL, DECK HEIGHT GAUGE		
9.	357-781D	BOLT ROCKER		
10.	800-080C	GREASE ZERK 1/4-28 THD FORMING		
11.	800-234C	EXTERNAL E-RING 3/4 I.D. HEAVY		
12.	802-113C	HHCS 7/16-14X1 3/4 GR5		
13.	802-179C	HHCS 5/16-18X1 1/2 FTHD G5		
14.	802-674C	CLOSED EYE BOLT 3/8-16X4 1/2		
15.	802-814C	HHCS 7/16-14X2 GR5 FTHD		
16.	803-012C	NUT HEX JAM 3/8-16 PLT		
17.	803-052C	NUT HEX WHIZ 7/16-14 PLT		
18.	803-196C	NUT HEX FLANGE 5/8-11 PLT		
19.	803-198C	NUT HEX WHIZ 3/8-16 PLT		
20.	803-214C	NUT HEX FLANGE 3/4-10 GR5 PLT		
21.	803-275C	NUT HEX 5/16-18 GR8 PLT		
22.	804-016C	WASHER FLAT 1/2 SAE PLT		
23.	804-019C	WASHER FLAT 5/8 USS PLT		
24.	804-156C	WASHER MACH 1 1/4X3/4X14GA		
25.	805-106C	PIN,CLEVIS .75X2.5X2.00 E-CLIP		
26.	807-113C	SPRING EXT 1 7/8ODX8 3/8X.25W		
27.	807-240C	SPRING, COMP 1.05ODX16LX.148W		
28.	817-033C	LID LATCH GRIP		
28.	817-631C	RPBY 817-033C		
29.	890-907C	CHAIN, 5/16 LONG LINK PROOF 3X		

Electrical Components

Applies to RAZOR ZSR54, RAZOR ZSR60



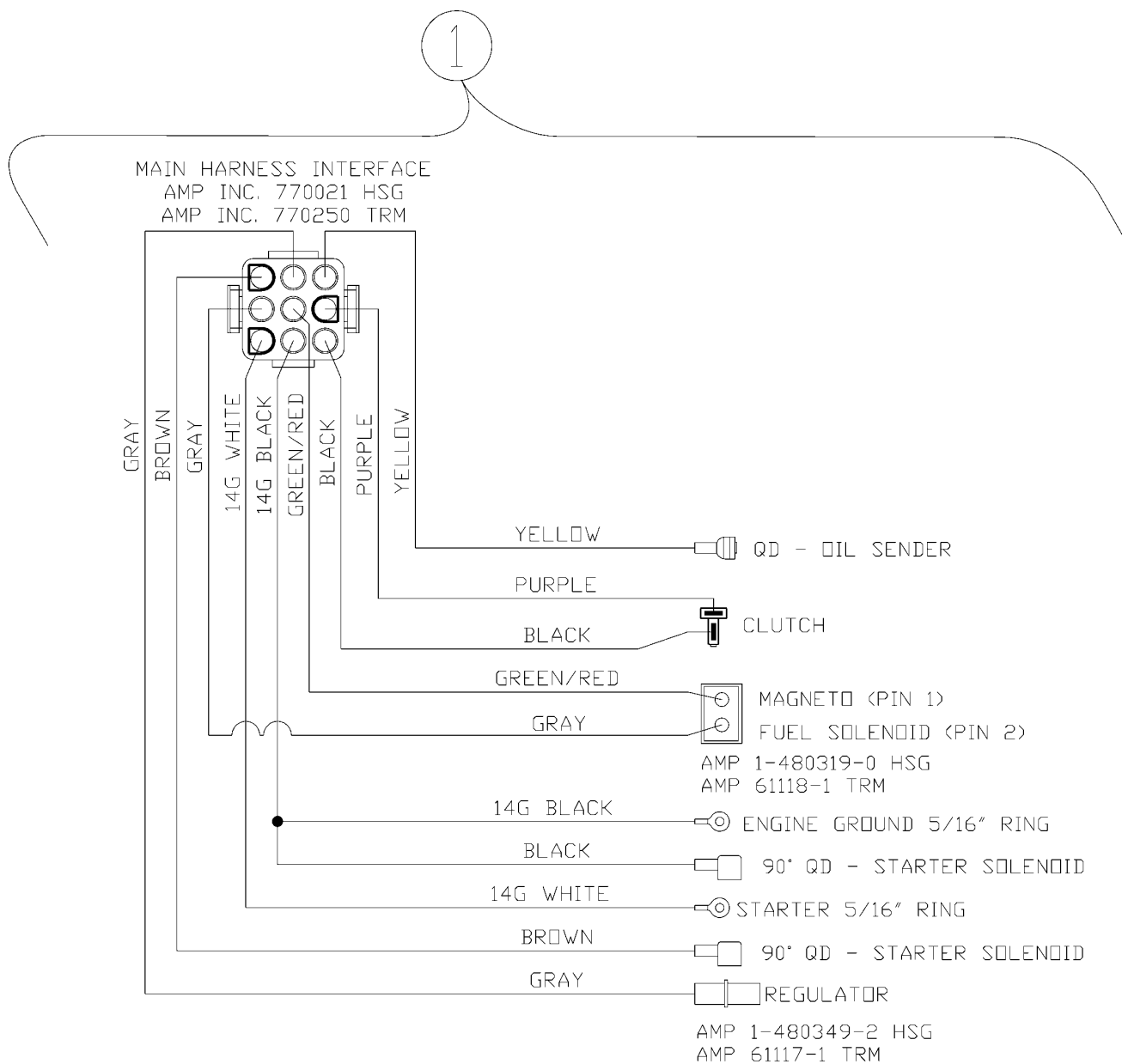
27748

Electrical Components**Applies to RAZOR ZSR54, RAZOR ZSR60**

Ref	Part No.	Part Description	Comments	Revision
	dwg27748	Drawing Image Number		
1.	357-014D	BRACKET, BATTERY HOLD-DOWN		
2.	357-112D	PANEL, CONTROL		
3.	357-729D	BATTERY TRAY		
4.	801-031C	SCREW HEX 5/16-12 X 1 THD CUTT		
5.	801-198C	TTHMS 1/4-20X1/2 ZNYCR		
6.	802-092C	RHSNB 5/16-18X3/4 GR5		
7.	802-232C	RHSNB 5/16-18X3 FTTHD		
8.	802-257C	HFSS 1/4-20X3/4 GR5		
9.	803-084C	NUT HEX NYLOCK 5/16-18 PLT		
10.	803-326C	NUT HEX 1/4-20 ZNYCR		
11.	804-006C	WASHER LOCK SPRING 1/4 PLT		
12.	804-007C	WASHER FLAT 1/4 SAE PLT		
13.	804-036C	WASHER FLAT 5/16 SAE PLT		
14.	833-019C	BATTERY CABLE 6GA RED 32 1/4		
15.	N/A	BATTERY	UL1HD (245 CCA) Or U1L-X (300CCA) B.C.I. Group Size	
16.	833-336C	IGNITION SWITCH W/2 KEYS(6PIN)		
17.	833-342C	KEY W/SHIELD (RP FOR 833-336C)		
18.	833-350C	LIGHT, 14V INDICATOR		
19.	833-351C	BLADE SWITCH		
20.	833-352C	HOUR METER		
21.	833-457C	CABLE,4GAX24X.25X.38 BLK BATT		
22.	803-199C	NUT HEX FLANGE 5/16-18 PLT		

Electrical Wiring Schematic Briggs Engine

Applies to RAZOR ZSR54, RAZOR ZSR60



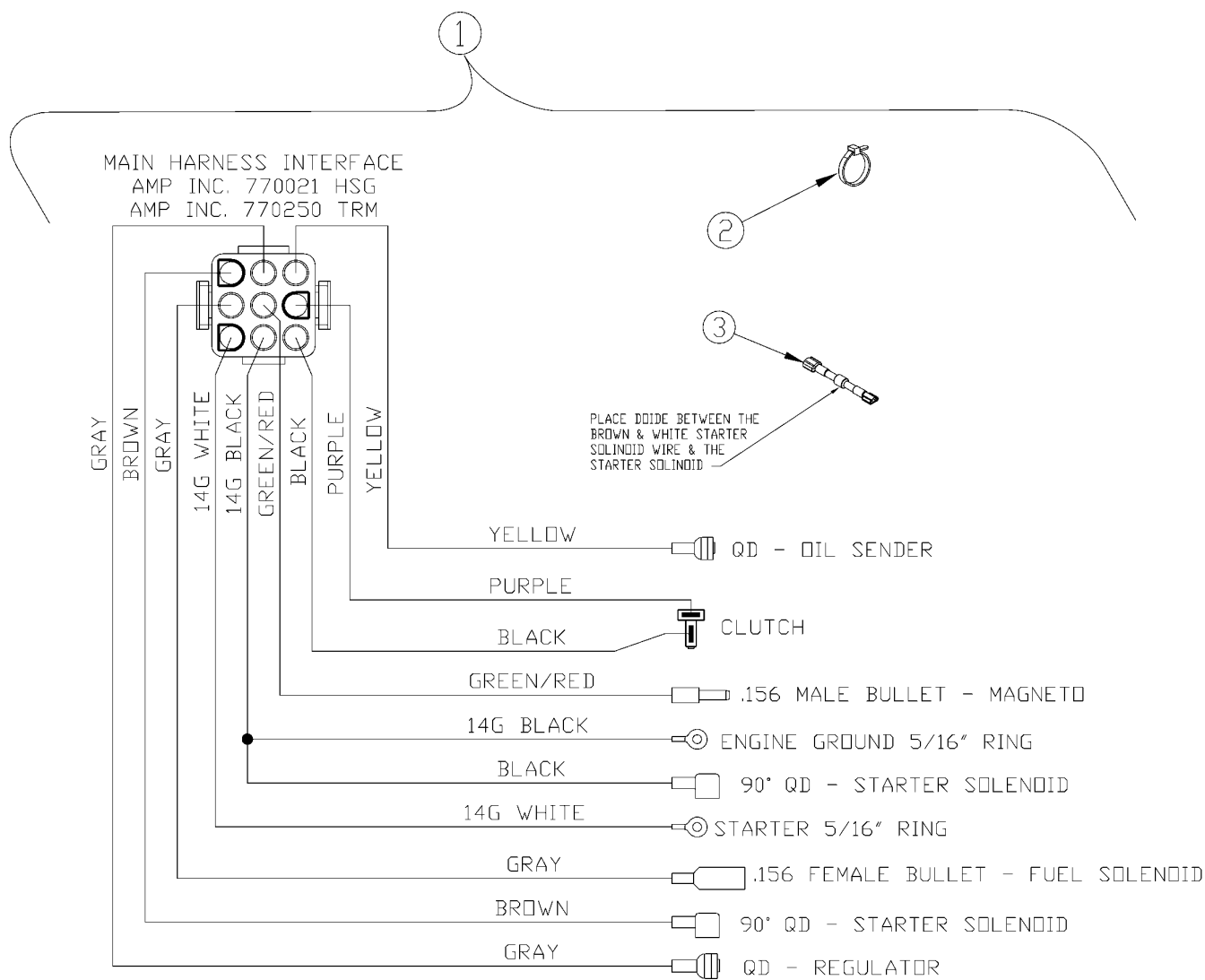
Electrical Wiring Schematic Briggs Engine

Applies to RAZOR ZSR54, RAZOR ZSR60

Ref	Part No.	Part Description	Comments	Revision
	dwg27789	Drawing Image Number		
1.	833-507C	HARNESS ASY, B&S RAZOR ENG		

Electrical Wiring Schematic Kawasaki Engine

Applies to RAZOR ZSR54, RAZOR ZSR60



27824

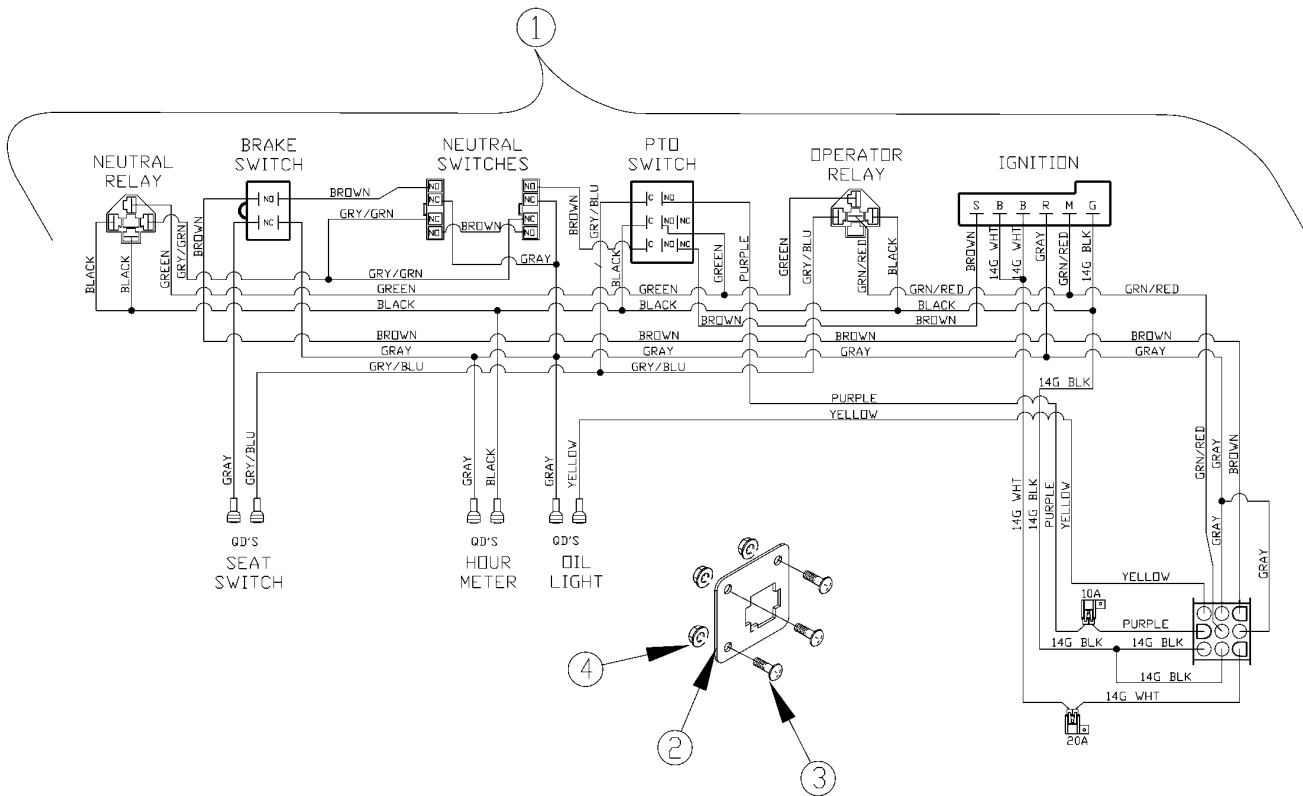
Electrical Wiring Schematic Kawasaki Engine

Applies to RAZOR ZSR54, RAZOR ZSR60

Ref	Part No.	Part Description	Comments	Revision
	dwg27824	Drawing Image Number		
1.	833-506C	HARNESS ASY, KAW RAZOR ENG		
2.	800-303C	CABLE TIE 2 DIA MIN - BLK		
3.	833-465C	DIODE ASSY, STARTER		

Electrical Wiring Schematic Main Harness

Applies to RAZOR ZSR54, RAZOR ZSR60



27774

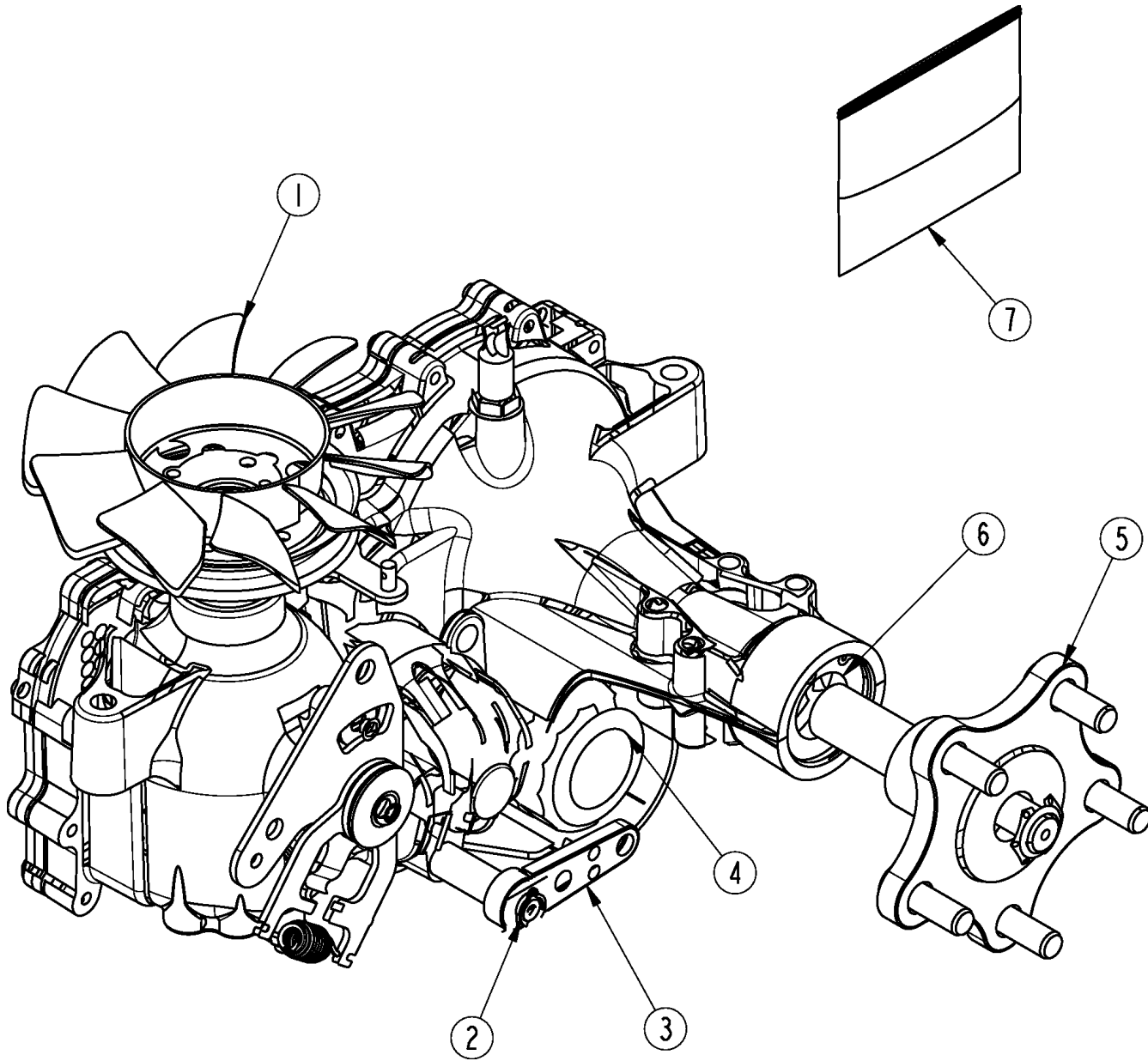
Electrical Wiring Schematic Main Harness

Applies to RAZOR ZSR54, RAZOR ZSR60

Ref	Part No.	Part Description	Comments	Revision
	dwg27748	Drawing Image Number		
1.	833-504C	HARNESS ASY, RAZOR MAIN		
2.	357-855D	PLATE, HARNESS MOUNT		
3.	802-633C	RHSNB 1/4-20X5/8 PLT		
4.	803-088C	NUT HEX LOCK 1/4-20 FLG		

Transmission Components (831-071C & 831-072C)

Applies to RAZOR ZSR54, RAZOR ZSR60



27879

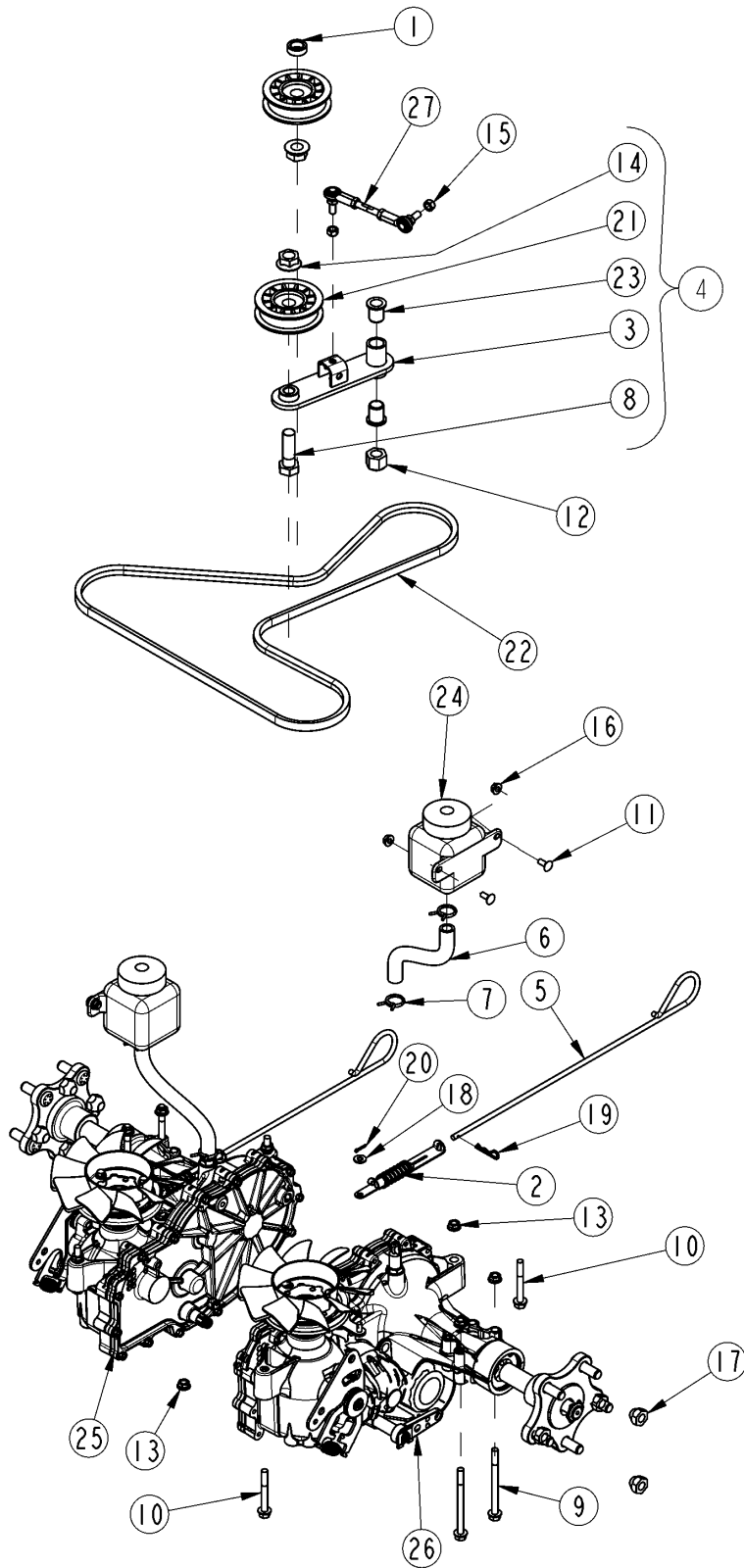
Transmission Components (831-071C & 831-072C)

Applies to RAZOR ZSR54, RAZOR ZSR60

Ref	Part No.	Part Description	Comments	Revision
	dwg27879	Drawing Image Number		
	831-071C	TRANSAXLE RH, CUT GEARS		
	831-072C	TRANSAXLE LH, CUT GEARS	Shown	
		*		
1.	72124	HG FAN/PULLY KIT		
2.	53019	HG CLIP, RETAINING	S/N 822610+	
2.	52027	RPBY 53019	S/N 822609-	
3.	52639	HG HANDLE, BRAKE		
4.	52114	HG FILTER, OIL		
5.	71691	HG KIT, HUB, 5 BOLT		
6.	53699	HG SEAL, LIP 25X52X10 TC(GREY)	Also in Seal Kit	
7.	71410	SEAL KIT FOR THE ZT-2800		

Transmission to Frame Assembly

Applies to RAZOR ZSR54, RAZOR ZSR60



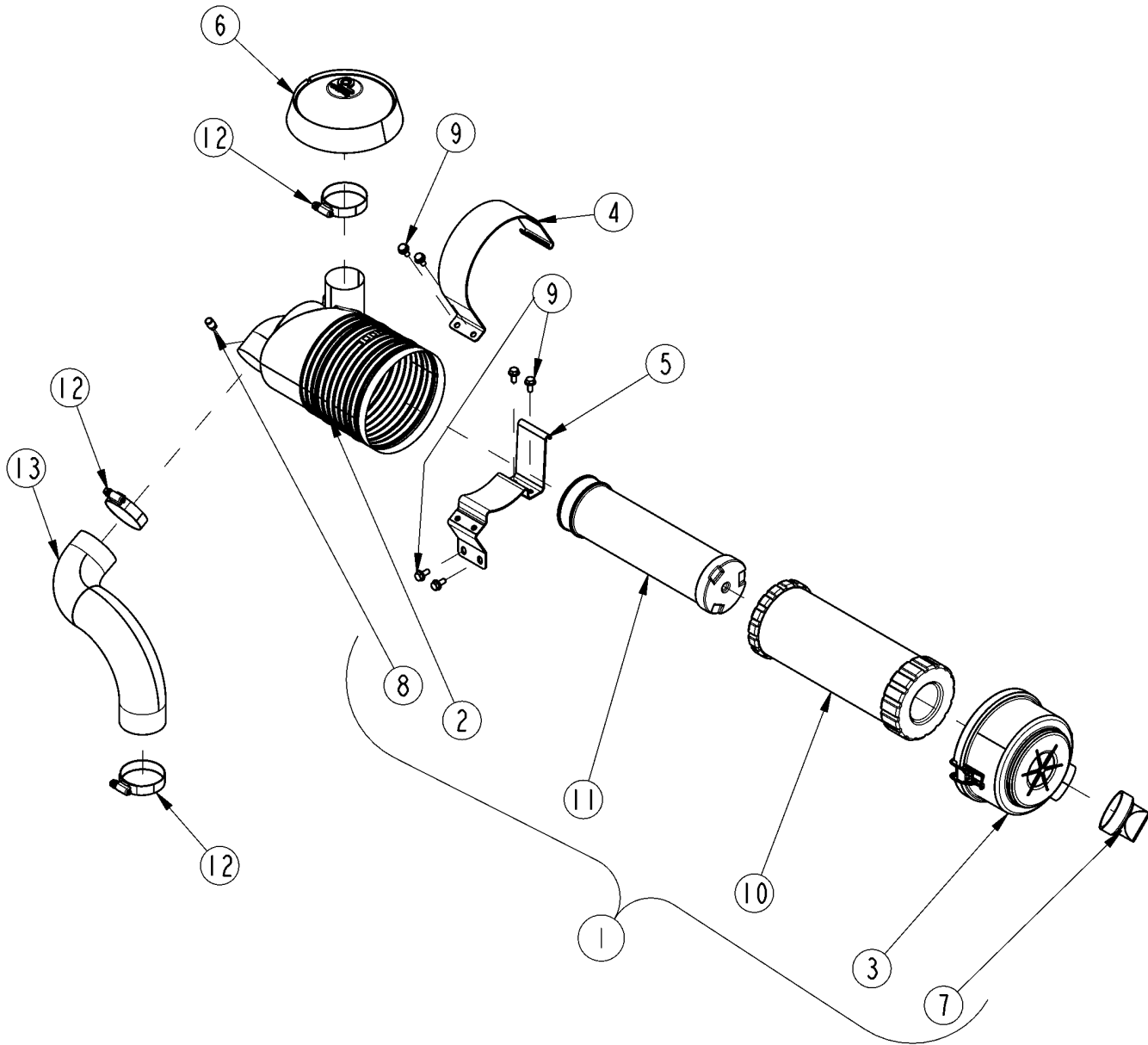
27795

Transmission to Frame Assembly**Applies to RAZOR ZSR54, RAZOR ZSR60**

Ref	Part No.	Part Description	Comments	Revision
	dwg27795	Drawing Image Number		
1.	357-181D	BUSHING, .64X1.00X.45L PLAIN		
2.	357-184L	SPRING ASSY, IZT BYPASS ROD		
3.	357-316H	HYDRO TENSIONER ARM, RAZOR		
4.	357-325S	TENSIONER ARM ASSY		
5.	357-455D	ROD, 2800 IZT BYPASS		
6.	358-399D	HYD RES TUBE 1/2" ID		
7.	800-321C	HOSE CLAMP NO. 12 3/4 ID		
8.	802-055C	HHCS 5/8-11X2 GR5		
9.	802-225C	HFS 5/16-18X4 G5 ZNYCR		
10.	802-439C	HFSS 5/16-18X2 1/2 GR5		
11.	802-633C	RHSNB 1/4-20X5/8 PLT		
12.	803-148C	NUT HEX NYLOCK 5/8-11 PLT		
13.	803-177C	NUT HEX FLG TP LK 5/16-18ZNYCR		
14.	803-263C	NUT HEX FLANGE LOCK 5/8-11 PLT		
15.	803-270C	NUT HEX NYLOCK 5/16-24		
16.	803-293C	NUT HEX FLG TL 1/4-20 ZNYCR		
17.	803-329C	NUT LUG 1/2-20X60DEG PLT(.81AF)		
18.	804-007C	WASHER FLAT 1/4 SAE PLT		
19.	805-010C	PIN HAIR COTTER .094		
20.	805-307C	PIN COTTER 3/32 X 1/2		
21.	808-375C	PULLEY, 3.00X.63IDX.72W IDLER		
22.	816-779C	V-BELT, A-SEC 67.30 EL	S/N 848901+	
22.	816-616C	RPBY 816-779C	S/N 848900-	
23.	817-028C	DOUBLE DISK ARM PIVOT BUSHINGS		
24.	817-749C	TANK, 350 ML EXPANSION		
25.	831-071C	TRANSAXLE RH, CUT GEARS		
26.	831-072C	TRANSAXLE LH, CUT GEARS		
27.	890-950C	ROD ASSY, IZT PARKING BRAKE		

Air Cleaner Kawasaki 23.5 HP

Applies to RAZOR ZSR54, RAZOR ZSR60



27850

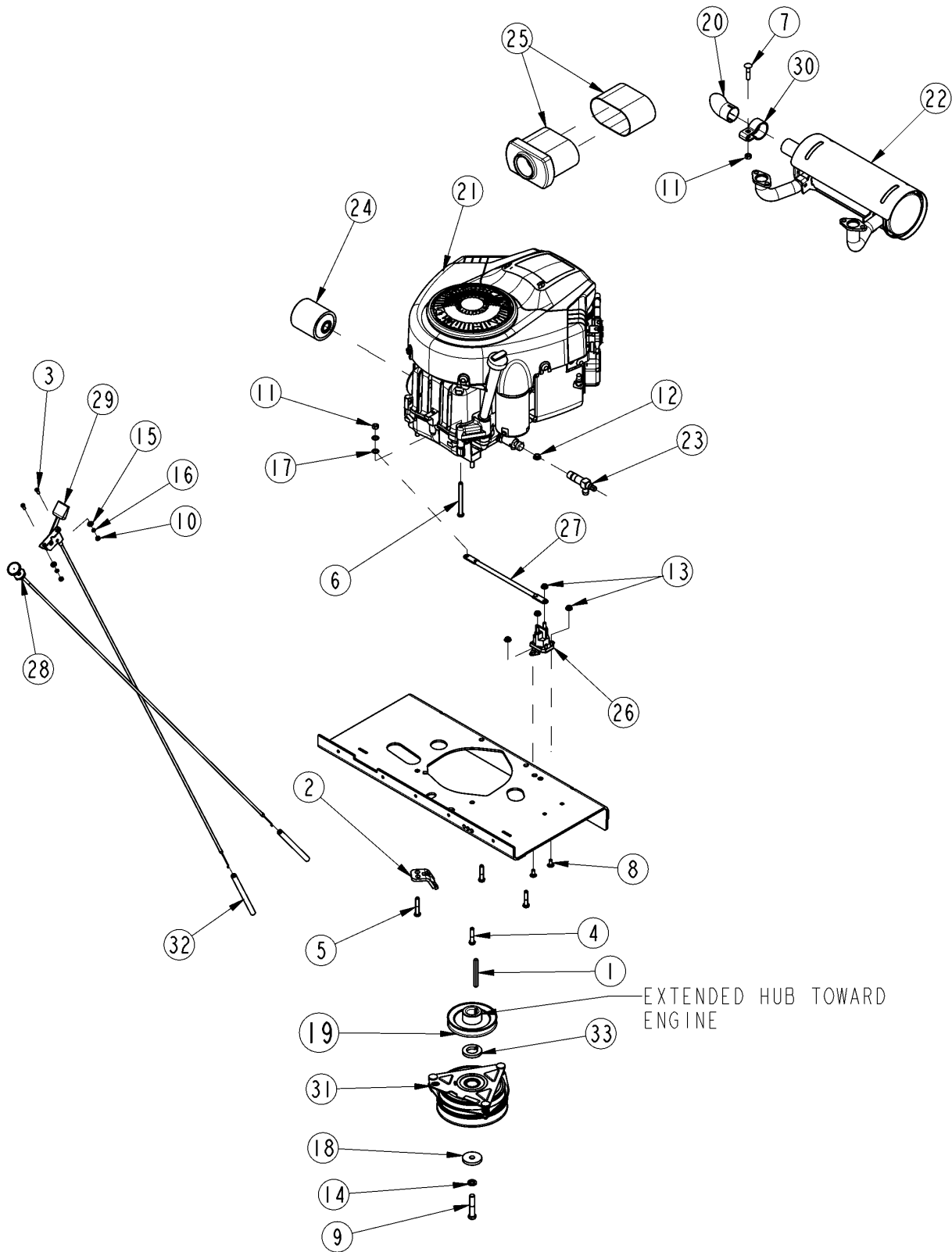
Air Cleaner Kawasaki 23.5 HP

Applies to RAZOR ZSR54, RAZOR ZSR60

Ref	Part No.	Part Description	Comments	Revision
	dwg27850	Drawing Image Number		
1.	11010-7028	KAW FILTER-ASSY-AIR		
2.	N/A	KAW FILTER CANNISTER		
3.	11011-7056	KAW CASE-AIR FILTER		
4.	11055-7011-9H	KAW BRACKET		
5.	11055-7012-9H	KAW BRACKET		
6.	11065-7025	KAW CAP		
7.	11065-7031	KAW CAP		
8.	11065-7032	KAW CAP		
9.	130AA0616	KAW BOLT-FLANGED,6X16		
10.	831-075C	FILTER ELEMENT, KAW OUTER		
11.	831-076C	FILTER ELEMENT, KAW INNER		
12.	92171-7007	KAW CLAMP		
13.	92192-7147	KAW TUBE		

Engine Assembly Briggs & Stratton 26 HP

Applies to RAZOR ZSR54, RAZOR ZSR60



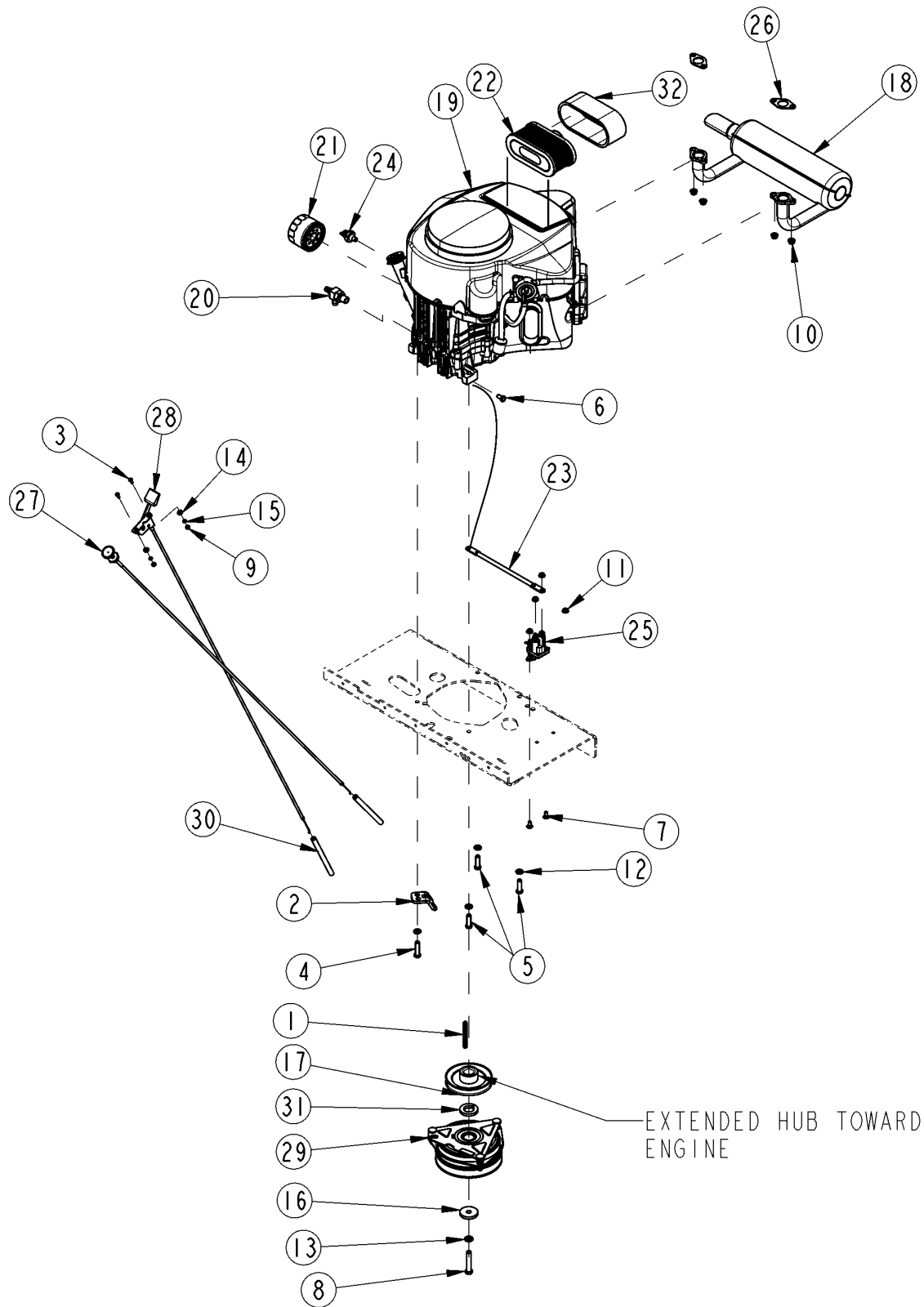
27797

Engine Assembly Briggs & Stratton 26 HP**Applies to RAZOR ZSR54, RAZOR ZSR60**

Ref	Part No.	Part Description	Comments	Revision
	dwg27797	Drawing Image Number		
1.	357-618D	KEY, 1/4 X 1/4 X 3 LG		
2.	357-619D	BRACKET, CLUTCH CLOCKING		
3.	801-205C	TPHMS Y #10-24 X 1/2 ZNYCR		
4.	802-012C	HHCS 5/16-18X1 1/2 GR5		
5.	802-013C	HHCS 5/16-18X1 3/4 GR5		
6.	802-190C	HHCS 5/16-18X3 1/2 GR5 FTHD		
7.	802-270C	RHSNB 5/16-18X1 1/2 GR5		
8.	802-633C	RHSNB 1/4-20X5/8 PLT		
9.	802-923C	HHCS 7/16-20X2 1/4 GR8	S/N 659121+	
9.	802-862C	HHCS 7/16-20X2 GR8 PLT	S/N 659120-	
10.	803-001C	NUT HEX 10-24 PLT		
11.	803-008C	NUT HEX 5/16-18 PLT		
12.	803-177C	NUT HEX FLG TP LK 5/16-18ZNYCR		
13.	803-293C	NUT HEX FLG TL 1/4-20 ZNYCR		
14.	804-014C	WASHER LOCK 7/16 PLT		
15.	804-046C	WASHER FLAT #10 SAE PLT		
16.	804-054C	WASHER LOCK #10		
17.	804-221C	WASHER INTERNAL STAR 5/16 PLT		
18.	804-231C	WASHER .460 X 1.75 X.25 PLT		
19.	808-402C	PULLEY, 4.5 PD X 1.00 ID A-SEC		
20.	826-535C	EXTNSION, 1 3/8X60DEG TAILPIPE		
21.	826-728C	ENGINE, 26HP B&S EPA	S/N 714681+	
21.	826-544C	RPBY 826-728C	S/N 714680-	
22.	826-620C	MUFFLER, 26 HP, BRIGGS		
23.	829-127C	VALVE, B & S OIL DRAIN		
24.	831-053C	FILTER, B&S INTEK ELS OIL		
25.	831-054C	FILTER, B&S INTEK ELS AIR		
26.	833-556C	SOLENOID, SEALED ENGINE STARTR	S/N 699098+	
26.	833-405C	RPBY 357-509A	S/N 699097-	
27.	833-414C	CABLE, 4GAX10X.25X.31		
28.	890-106C	CABLE, 53X.062X1.87 CHOKE		
29.	890-115C	CABLE, 50X.062X2.12 THROTTLE		
30.	890-947C	CLAMP, 1 1/2 MUFFLER		
31.	891-230C	CLUTCH, 12V HI TORQ BLD BRAKE	S/N 692674+	
31.	891-227C	RPBY 891-230C	S/N 692673-	
31.	890-982C	RPBY 891-227C		
32.	990-249R	HEAT SHIELD, 1/4" I.D.	Sold per Foot	
33.	358-079D	SPACER, ENG PTO, 1 ID, .25 THK	S/N 659121+	

Engine Assembly Kawasaki 23 HP

Applies to RAZOR ZSR54, RAZOR ZSR60



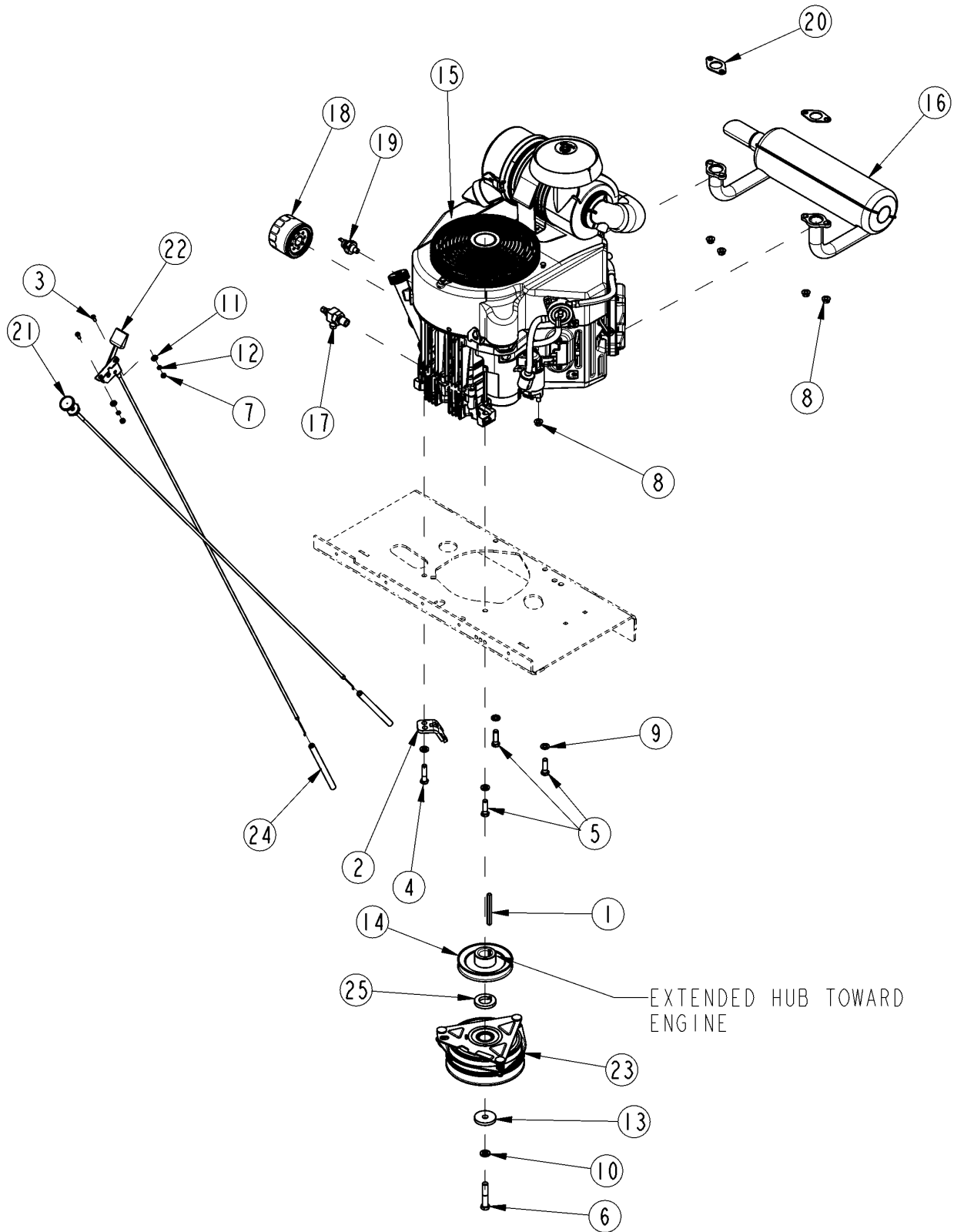
27808

Engine Assembly Kawasaki 23 HP**Applies to RAZOR ZSR54, RAZOR ZSR60**

Ref	Part No.	Part Description	Comments	Revision
	dwg27808	Drawing Image Number		
1.	357-618D	KEY, 1/4 X 1/4 X 3 LG		
2.	357-619D	BRACKET, CLUTCH CLOCKING		
3.	801-205C	TPHMS Y #10-24 X 1/2 ZNYCR		
4.	802-022C	HHCS 3/8-16X1 1/2 GR5		
5.	802-079C	HHCS 3/8-16X1 1/4 GR5		
6.	802-459C	HHCS M8X1.25X16 GR8.8		
7.	802-633C	RHSNB 1/4-20X5/8 PLT		
8.	802-923C	HHCS 7/16-20X2 1/4 GR8	S/N 659121+	
8.	802-862C	HHCS 7/16-20X2 GR8 PLT	S/N 659120-	
9.	803-001C	NUT HEX 10-24 PLT		
10.	803-220C	NUT HEX FLANGE M8X1.25 PLT		
11.	803-293C	NUT HEX FLG TL 1/4-20 ZNYCR		
12.	804-013C	WASHER LOCK SPRING 3/8 PLT		
13.	804-014C	WASHER LOCK 7/16 PLT		
14.	804-046C	WASHER FLAT #10 SAE PLT		
15.	804-054C	WASHER LOCK #10		
16.	804-231C	WASHER .460 X 1.75 X.25 PLT		
17.	808-402C	PULLEY, 4.5 PD X 1.00 ID A-SEC		
18.	826-638C	MUFFLER 26HP KAW		
19.	826-640C	KAW, FS691V, 23HP		
20.	829-128C	VALVE,20MM O-RING OIL DRAIN		
21.	831-073C	FILTER, KAW OIL		
22.	831-074C	FILTER, KAW FS AIR W/CLAMP		
23.	833-414C	CABLE, 4GAX10X.25X.31		
24.	833-419C	SWITCH,N.C. OIL PRESSURE		
25.	833-556C	SOLENOID, SEALED ENGINE STARTR	S/N 699098+	
25.	833-405C	RPBY 357-509A	S/N 699097-	
26.	839-383C	GASKET MUFFLER HONDA 20HP		
27.	890-106C	CABLE, 53X.062X1.87 CHOKE		
28.	890-115C	CABLE, 50X.062X2.12 THROTTLE		
29.	891-230C	CLUTCH, 12V HI TORQ BLD BRAKE	S/N 692674+	
29.	891-227C	RPBY 891-230C	S/N 692673-	
29.	890-982C	RPBY 891-227C		
30.	990-249R	HEAT SHIELD, 1/4" I.D.		
31.	358-079D	SPACER, ENG PTO, 1 ID, .25 THK	S/N 659121+	
32.	831-099C	PRE FILTER, KAW FS SERIES AIR		

Engine Assembly Kawasaki 23.5 HP

Applies to RAZOR ZSR54, RAZOR ZSR60



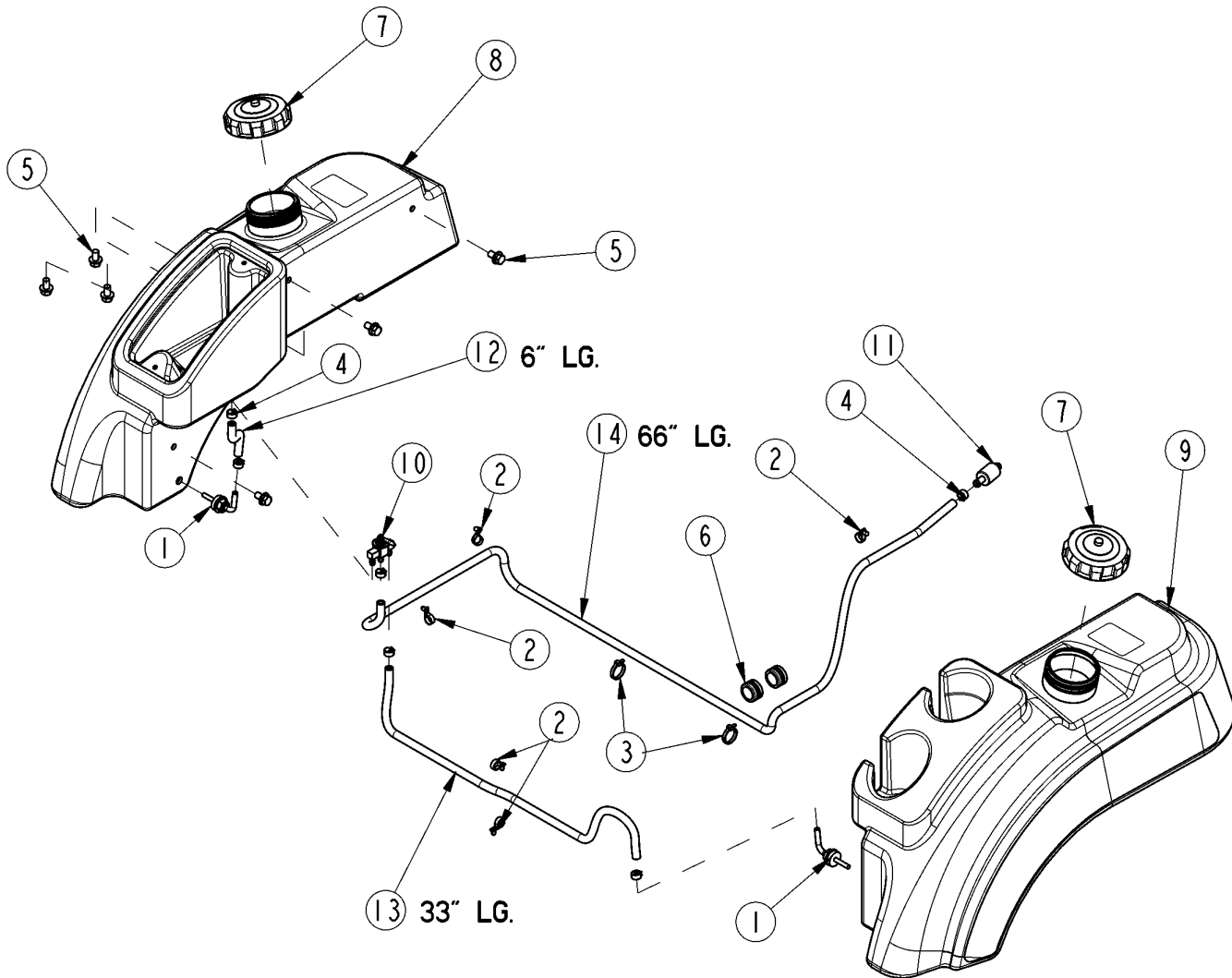
27810

Engine Assembly Kawasaki 23.5 HP**Applies to RAZOR ZSR54, RAZOR ZSR60**

Ref	Part No.	Part Description	Comments	Revision
	dwg27810	Drawing Image Number		
1.	357-618D	KEY, 1/4 X 1/4 X 3 LG		
2.	357-619D	BRACKET, CLUTCH CLOCKING		
3.	801-205C	TPHMS Y #10-24 X 1/2 ZNYCR		
4.	802-022C	HHCS 3/8-16X1 1/2 GR5		
5.	802-079C	HHCS 3/8-16X1 1/4 GR5		
6.	802-923C	HHCS 7/16-20X2 1/4 GR8	S/N 659121+	
6.	802-862C	HHCS 7/16-20X2 GR8 PLT	S/N 659120-	
7.	803-001C	NUT HEX 10-24 PLT		
8.	803-220C	NUT HEX FLANGE M8X1.25 PLT		
9.	804-013C	WASHER LOCK SPRING 3/8 PLT		
10.	804-014C	WASHER LOCK 7/16 PLT		
11.	804-046C	WASHER FLAT #10 SAE PLT		
12.	804-054C	WASHER LOCK #10		
13.	804-231C	WASHER .460 X 1.75 X.25 PLT		
14.	808-402C	PULLEY, 4.5 PD X 1.00 ID A-SEC		
15.	826-613C	KAW, FX730V, 23.5HP		
16.	826-638C	MUFFLER 26HP KAW		
17.	829-128C	VALVE, 20MM O-RING OIL DRAIN		
18.	831-073C	FILTER, KAW OIL		
19.	833-419C	SWITCH, N.C. OIL PRESSURE		
20.	839-049C	KAW (23) GASKET, MUFFLER		
21.	890-106C	CABLE, 53X.062X1.87 CHOKE		
22.	890-115C	CABLE, 50X.062X2.12 THROTTLE		
23.	891-230C	CLUTCH, 12V HI TORQ BLD BRAKE	S/N 692674+	
23.	891-227C	RPBY 891-230C	S/N 692673-	
23.	890-982C	RPBY 891-227C		
24.	990-249R	HEAT SHIELD, 1/4" I.D.		
25.	358-079D	SPACER, ENG PTO, 1 ID, .25 THK	S/N 659121+	

Fuel System S/N 672163-

Applies to RAZOR ZSR54, RAZOR ZSR60



27761

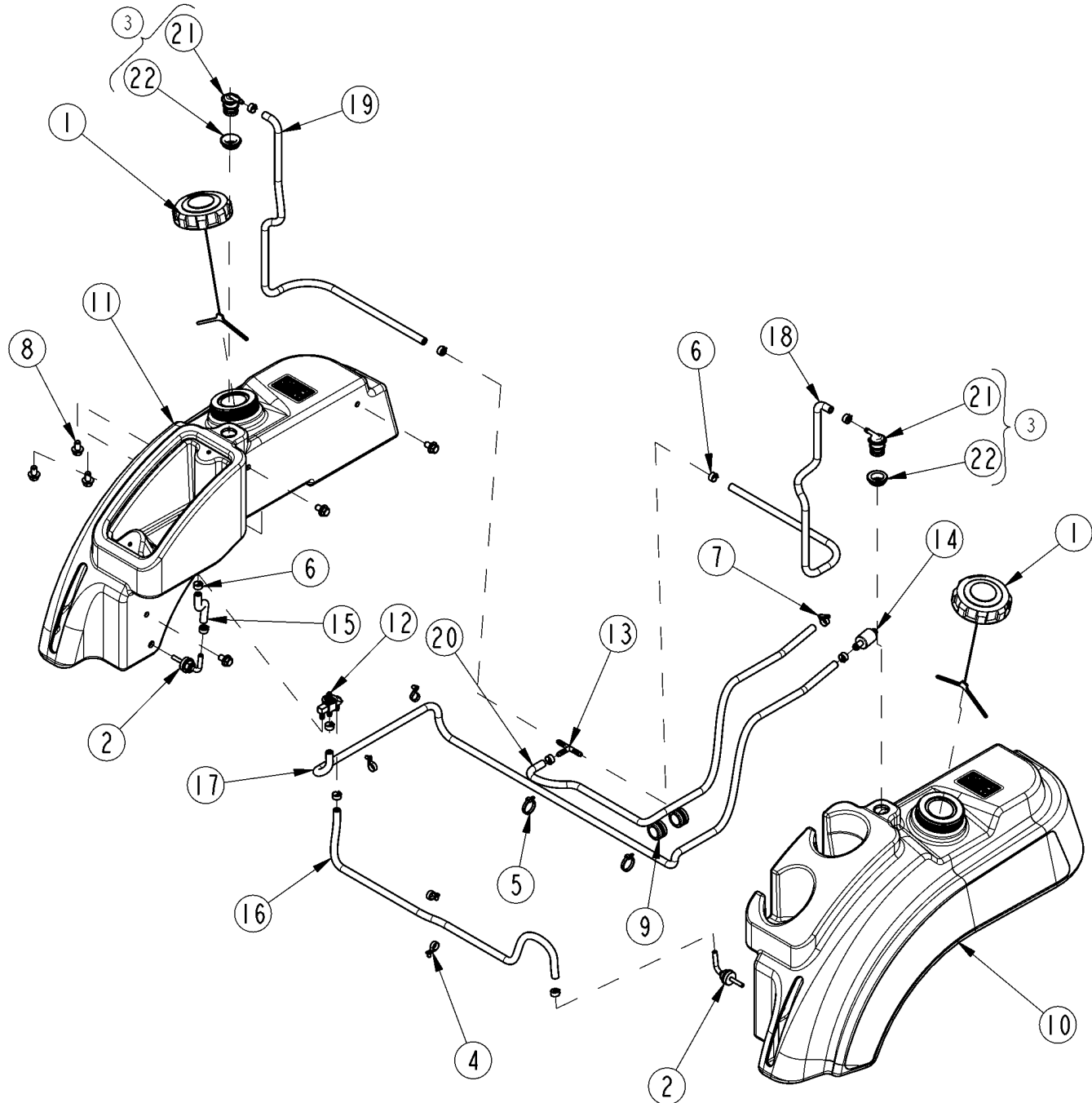
Fuel System S/N 672163-

Applies to RAZOR ZSR54, RAZOR ZSR60

Ref	Part No.	Part Description	Comments	Revision
	dwg27761	Drawing Image Number		
1.	356-137S	GAS TANK FITTING W/NUT&WASHER		
2.	800-243C	RETAINER PUSHIN, HOSE .56ID		
3.	800-303C	CABLE TIE 2 DIA MIN - BLK		
4.	800-356C	CLAMP PINCH FOR .50 OD HOSE		
5.	802-732C	HFSS 3/8-16X5/8 GR5 ZNYCR		
6.	816-527C	GROMMET,.875X1.25X.25T		
7.	817-630C	CAP, LARGE DIAMETER FUEL		
8.	817-760C	RH FUEL TANK, RED GRAPHICS		
9.	817-761C	LH FUEL TANK, RED GRAPHICS		
10.	829-129C	VALVE,FUEL SELECTOR		
11.	831-035C	FUEL FILTER	Briggs & Stratton	
11.	831-031C	FUEL FILTER	Kawasaki	
12.	990-225R	HOSE RUBBER.25ID/.5 OD SAE30R7		
13.	990-225R	HOSE RUBBER.25ID/.5 OD SAE30R7		
14.	990-225R	HOSE RUBBER.25ID/.5 OD SAE30R7		

Fuel System S/N 672164+

Applies to RAZOR ZSR54, RAZOR ZSR60



30754

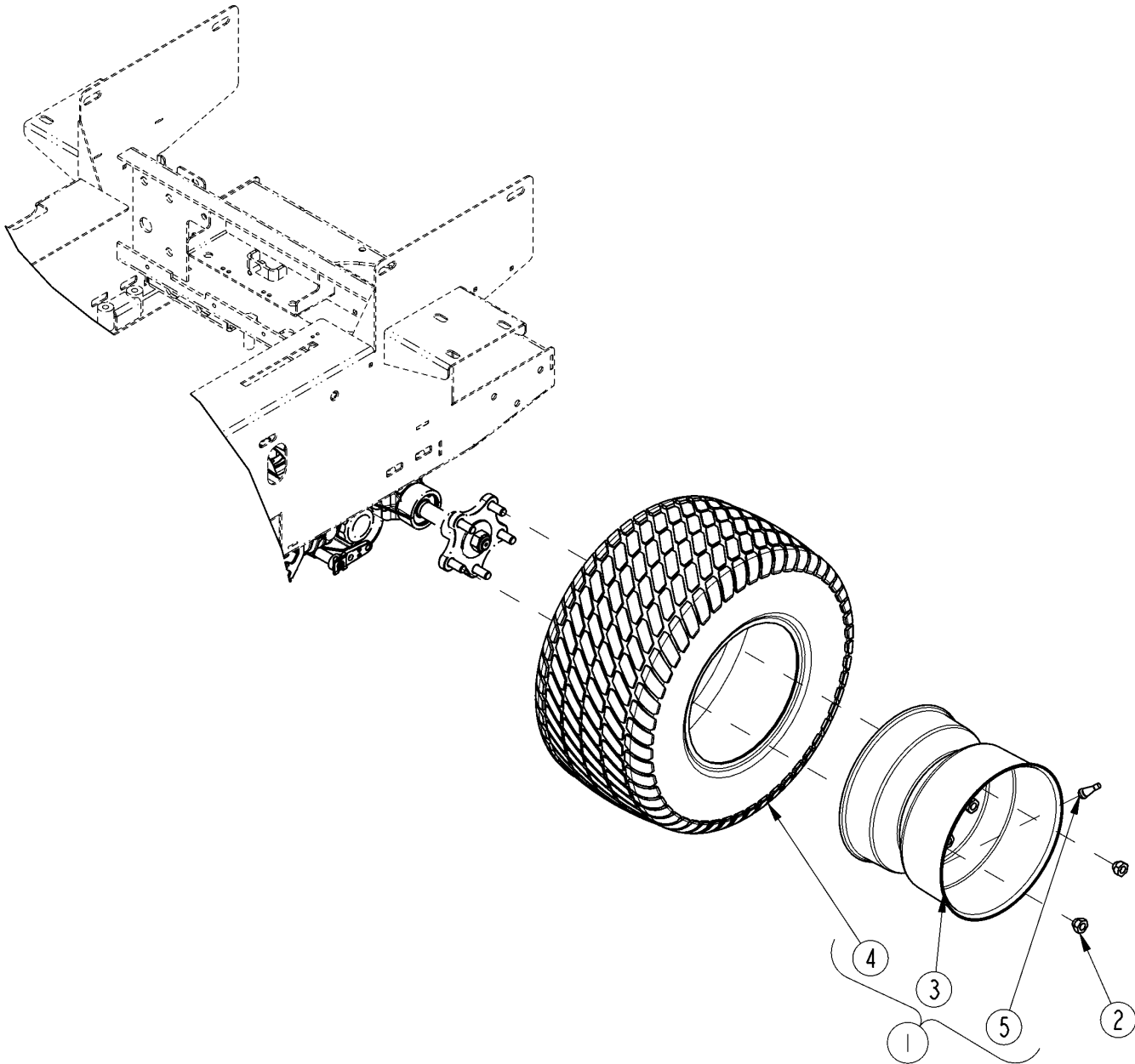
Fuel System S/N 672164+

Applies to RAZOR ZSR54, RAZOR ZSR60

Ref	Part No.	Part Description	Comments	Revision
	dwg30754	Drawing Image Number		
1.	204184	CAP, NON-VENTED FUEL		
1.	203238	RPBY 204184	Use up inventory	
2.	356-137S	GAS TANK FITTING W/NUT&WASHER		
3.	357-501A	SV KIT, EPA VALVE & GROMMET		
4.	800-243C	RETAINER PUSHIN, HOSE .56ID		
5.	800-303C	CABLE TIE 2 DIA MIN - BLK		
6.	800-356C	CLAMP PINCH FOR .50 OD HOSE		
7.	800-412C	CLAMP WRM DRV (.21-.63)		
8.	802-732C	HFSS 3/8-16X5/8 GR5 ZNYCR		
9.	816-527C	GROMMET,.875X1.25X.25T		
10.	817-995C	LH FUEL TANK, RED, COMPLIANT	S/N _____+	
10.	817-887C	RPBY 817-995C	S/N _____-	
11.	817-996C	RH FUEL TANK, RED, COMPLIANT	S/N _____+	
11.	817-888C	RPBY 817-996C	S/N _____-	
12.	829-129C	VALVE,FUEL SELECTOR		
13.	830-009C	TEE 1/4HB POLYPROP		
14.	831-035C	FUEL FILTER	Briggs & Stratton	
14.	831-031C	FUEL FILTER	Kawasaki	
15.	990-225R	HOSE RUBBER.25ID/.5 OD SAE30R7	5 1/4" Lg.	
16.	990-225R	HOSE RUBBER.25ID/.5 OD SAE30R7	32" Lg.	
17.	990-225R	HOSE RUBBER.25ID/.5 OD SAE30R7	65" Lg.	
18.	990-225R	HOSE RUBBER.25ID/.5 OD SAE30R7	32" Lg.	
19.	990-225R	HOSE RUBBER.25ID/.5 OD SAE30R7	32" Lg.	
20.	990-225R	HOSE RUBBER.25ID/.5 OD SAE30R7	36" Lg.	
21.	N/A	ROV ASY		
22.	N/A	GROMMET, FUEL TANK FITTING		

Drive Wheels

Applies to RAZOR ZSR54, RAZOR ZSR60



27796

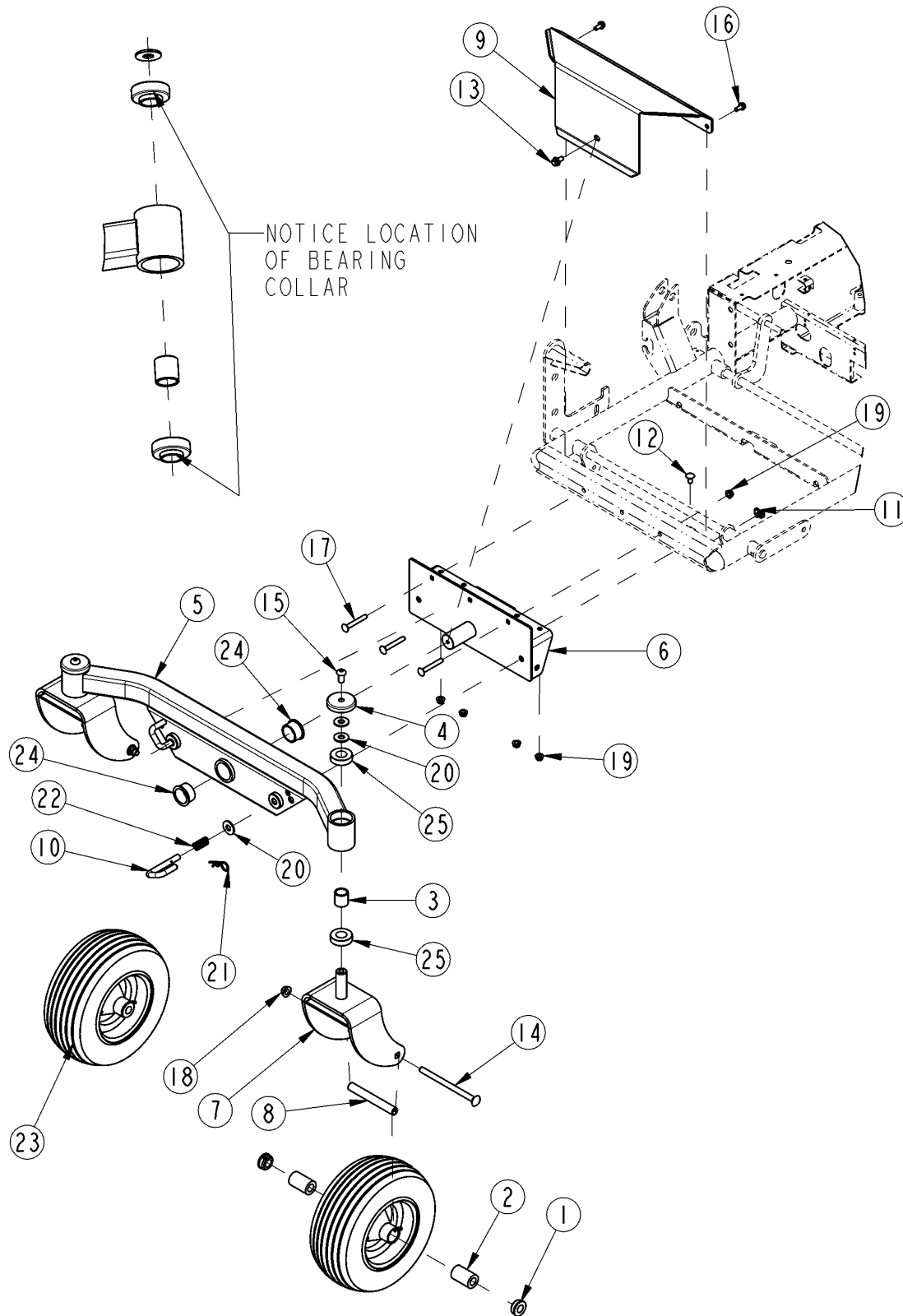
Drive Wheels

Applies to RAZOR ZSR54, RAZOR ZSR60

Ref	Part No.	Part Description	Comments	Revision
	dwg27796	Drawing Image Number		
1.	357-378S	TIRE/RIM ASY 20X10-10 5 BLT		
2.	803-329C	NUT LUG 1/2-20X60DEG PLT(.81AF		
3.	814-364C	RIM, 10X8 1/2 5 BOLT		
4.	814-377C	TIRE, 20X10-10 4 PLY TURF		
5.	TR-412	T1. VALVE MARTIN		

Front Floating Wheels

Applies to RAZOR ZSR54, RAZOR ZSR60



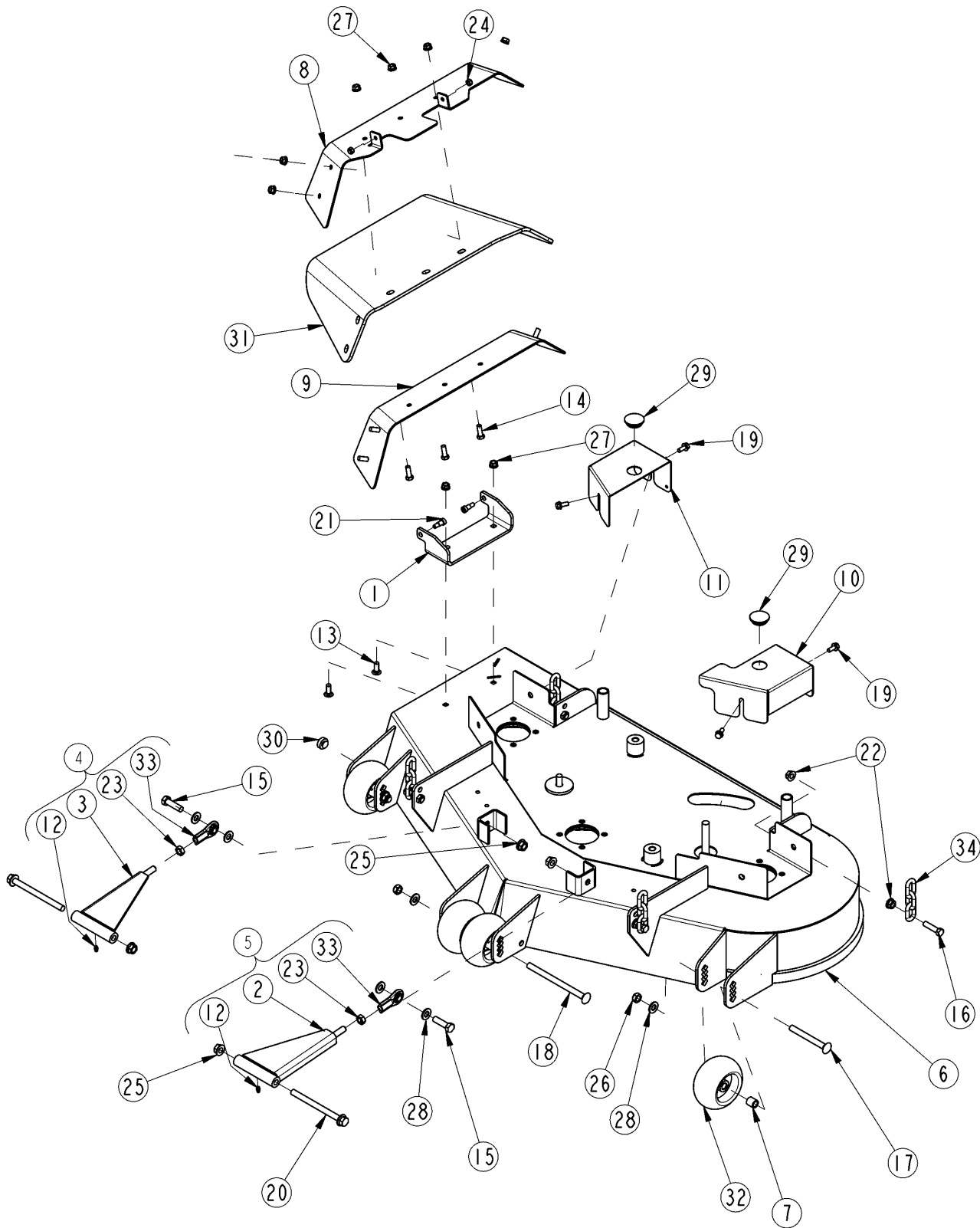
27794

Front Floating Wheels**Applies to RAZOR ZSR54, RAZOR ZSR60**

Ref	Part No.	Part Description	Comments	Revision
	dwg27794	Drawing Image Number		
1.	87040	HS BRG 3/4ID X 1.407OD X 5/8LG		
2.	87412	BRG, .75X1.38X2.20L ROLLER		
3.	357-111D	SPACER TUBE RD 1.25ODX11GWX1.3		
4.	357-120D	CAP, CASTER SPINDLE HUB		
5.	357-328H	FRONT AXLE, PIVOT		
6.	357-329H	PIVOT FRONT END MOUNT		
7.	357-332H	FORK WMT, FRONT CASTER		
8.	357-526D	TUBE,CASTER WHEEL AXLE		
9.	357-782D	BRACKET, FLOOR PAN ATTACHMENT		
10.	357-854D	LOCKING PIN		
11.	800-120C	NUT CLIP U-TYPE 5/16-18		
12.	802-149C	RHSNB 3/8-16X3/4 GR5		
13.	802-185C	HFSS 3/8-16X3/4 LG		
14.	802-218C	RHSNB 1/2-13X7 1/4 GR5 SPTH		
15.	802-371C	HSBHCS 1/2-13X1 GR5 NYL		
16.	802-387C	HFS 5/16-18X3/4 GR5		
17.	802-468C	RHSNB 3/8-16X2 3/4 GR5 PLT		
18.	803-169C	NUT HEX FLG LOCK 1/2-13 PLT		
19.	803-209C	NUT FLANGE LOCK 3/8-16 PLT		
20.	804-017C	WASHER FLAT 1/2 USS PLT		
21.	805-143C	PIN HAIR COTTER .120 PLT		
22.	807-119C	SPRING COMP .72 X 1.5 X .072WD		
23.	814-350C	TIRE/WHL,13X5.00-6NHS 4PR RIB		
24.	817-818C	BEARING, 1.50X1.69X1.50LG FLG		
25.	822-111C	BRG 1.00IDX2.04OD		

Deck Assembly ZSR

Applies to RAZOR ZSR54, RAZOR ZSR60



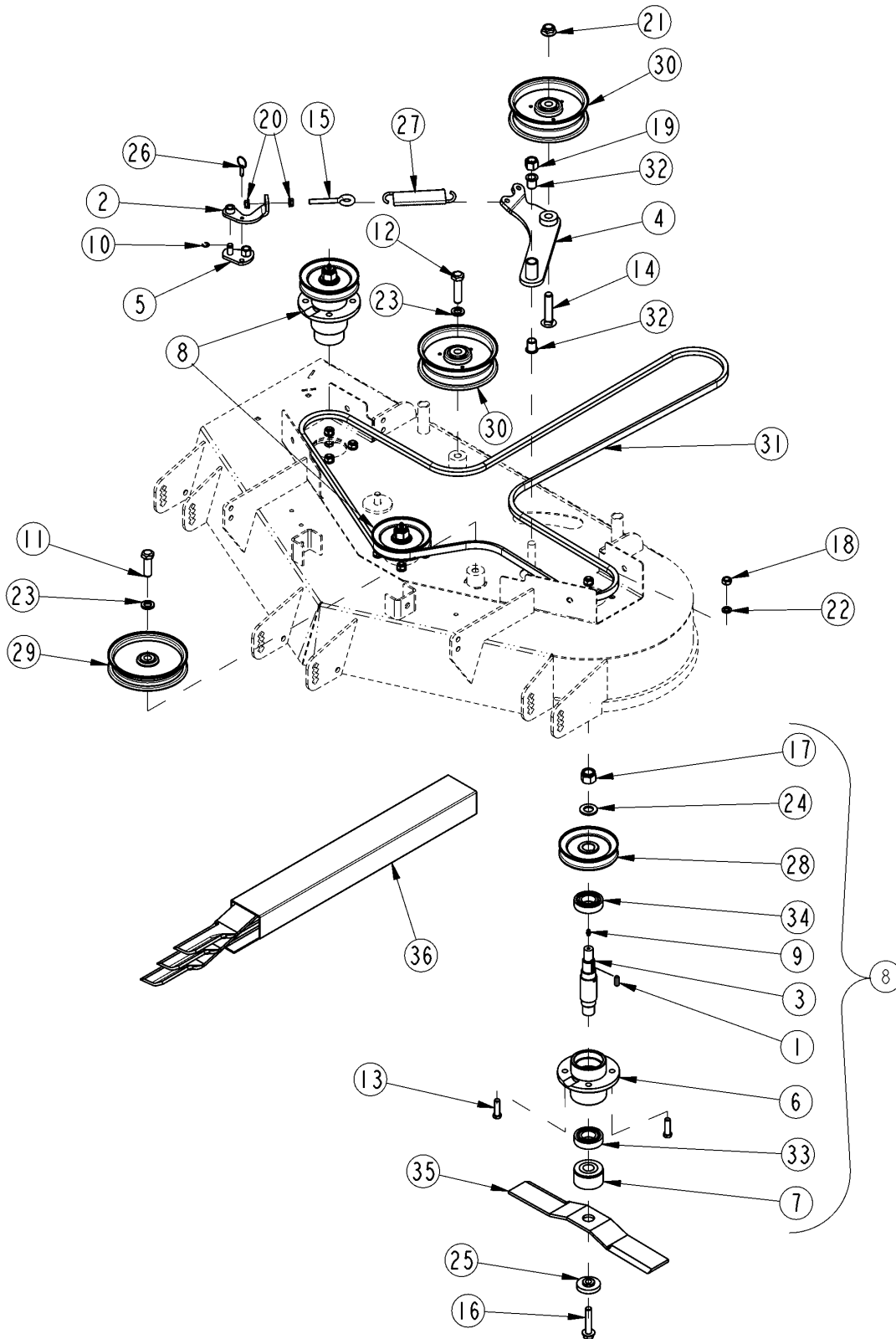
27771

Deck Assembly ZSR**Applies to RAZOR ZSR54, RAZOR ZSR60**

Ref	Part No.	Part Description	Comments	Revision
	dwg27771	Drawing Image Number		
1.	357-282D	CHUTE BRACKET		
2.	357-330H	LH STRUT WMT, RAZOR		
3.	357-331H	RH STRUT WMT, RAZOR		
4.	357-334S	RH STRUT ASSY, RAZOR		
5.	357-335S	LH STRUT ASSY, RAZOR		
6.	357-349H	DECK WMT, RAZOR 60	Razor ZSR60	
6.	357-352H	DECK WMT, RAZOR 54	Razor ZSR54	
7.	357-722D	SPACER 3/4OD X 11GA WL X 3/4L		
8.	357-803D	CHUTE BRACKET, TOP		
9.	357-804D	CHUTE BRACKET, BOTTOM		
10.	357-805D	BELT GUARD, RAZOR 60 LH	Razor ZSR60	
10.	357-817D	BELT GUARD, RAZOR 54 LH	Razor ZSR54	
11.	357-806D	BELT GUARD, RAZOR 60 RH	Razor ZSR60	
11.	357-818D	BELT GUARD, RAZOR 54 RH	Razor ZSR54	
12.	800-080C	GREASE ZERK 1/4-28 THD FORMING		
13.	802-015C	RHSNB 3/8-16X1 GR5		
14.	802-017C	HHCS 3/8-16X1 GR5		
15.	802-082C	HHCS 1/2-13X1 3/4 GR5		
16.	802-113C	HHCS 7/16-14X1 3/4 GR5		
17.	802-137C	RHSNB 1/2-13X4 1/2 GR8 PLT		
18.	802-218C	RHSNB 1/2-13X7 1/4 GR5 SPTH		
19.	802-387C	HFS 5/16-18X3/4 GR5		
20.	802-745C	HFS 1/2-13X6 1/8GR5 PLT		
21.	802-794C	SHOULDER BOLT 3/8X1/2X5/16-18		
22.	803-052C	NUT HEX WHIZ 7/16-14 PLT		
23.	803-059C	NUT HEX JAM 1/2-20 PLT		
24.	803-084C	NUT HEX NYLOCK 5/16-18 PLT		
25.	803-169C	NUT HEX FLG. LOCK 1/2-13 PLT.		
26.	803-178C	NUT NYLOCK JAM NUT 1/2-13		
27.	803-209C	NUT FLANGE LOCK 3/8-16 PLT		
28.	804-016C	WASHER FLAT 1/2 SAE PLT		
29.	816-298C	RUBBER PLUG 1 3/8 W/CROSS SLIT		
30.	816-483C	BUMPER, 1.00X.31THK PUSH IN		
31.	816-537C	CHUTE, RUBBER DISCHARGE		
32.	817-581C	WHEEL, ANTI SCALP		
33.	890-058C	GIMBAL, 1/2 ROD END		
34.	890-907C	CHAIN, 5/16 LONG LINK PROOF 3X		

Deck Pulleys & Drive Belt ZSR

Applies to RAZOR ZSR54, RAZOR ZSR60



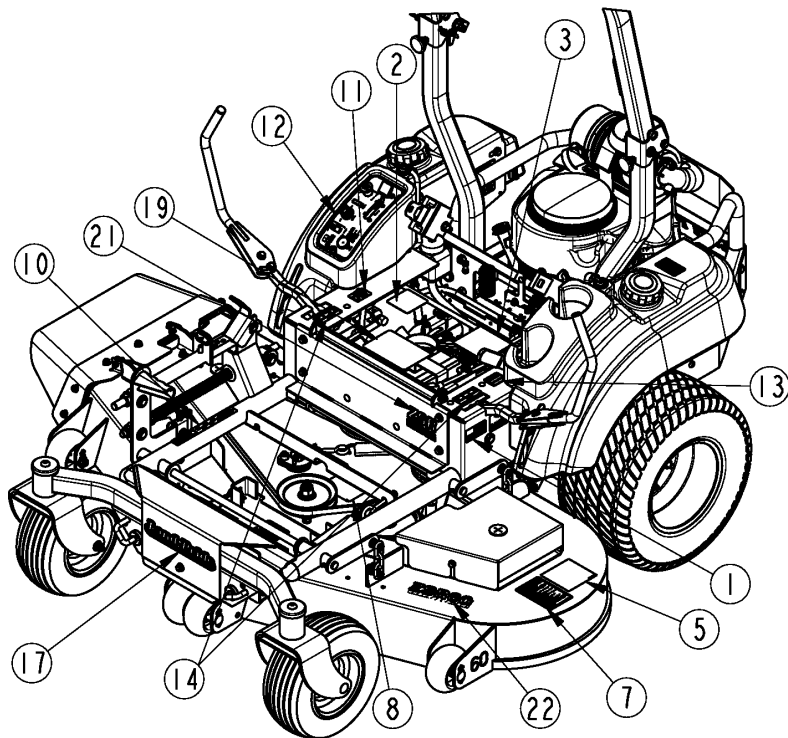
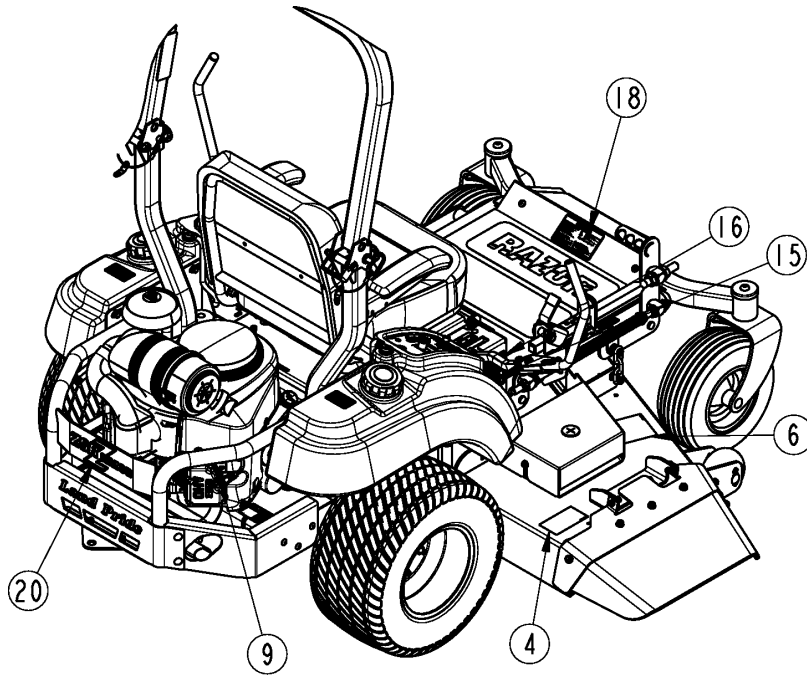
27772

Deck Pulleys & Drive Belt ZSR**Applies to RAZOR ZSR54, RAZOR ZSR60**

Ref	Part No.	Part Description	Comments	Revision
	dwg27772	Drawing Image Number		
1.	172-242D	1/4 SQ. KEY X 7/8 LG		
2.	310-095H	CW SPRING EYE-BOLT BRACKET		
3.	310-630D	BLADE SPINDLE SHAFT CW TG		
4.	357-024H	LEVER AY, BELT TENSION IDLER		
5.	357-224H	OVER CENTER LATCH-90		
6.	357-279D	BLADE HUB BOTTOM MOUNT		
7.	357-280D	BLADE HUB - 7/8 (PLATED) 1.29T		
8.	357-064S	CW HUB ASSY BTM MNT 6"PULLEY	Razor ZSR60	
8.	357-234S	SPINDLE ASSY, CW TG, 5.5 PULL	Razor ZSR54	
9.	800-001C	GREASE ZERK STRAIGHT 1/4-28		
10.	800-099C	SNAP RING EXT 7/16		
11.	802-055C	HHCS 5/8-11X2 GR5		
12.	802-058C	HHCS 5/8-11X2 1/2 GR5		
13.	802-229C	HHCS 7/16-20X1 1/2 GR8		
14.	802-338C	RHSNB 5/8-11X3 GR5		
15.	802-567C	SP EYE 3/8-16X 3 7/8		
16.	802-698C	HFS 1/2-20X2 1/2 GR8		
17.	803-114C	NUT LOCK 3/4-16 NYLOC COLLAR		
18.	803-115C	NUT HEX 7/16-20 PLT		
19.	803-119C	NUT LOCK 5/8-18 NYLOK COLLAR P		
20.	803-198C	NUT HEX WHIZ 3/8-16 PLT		
21.	803-263C	NUT HEX FLANGE LOCK 5/8-11 PLT		
22.	804-014C	WASHER LOCK 7/16 PLT		
23.	804-022C	WASHER LOCK SPRING 5/8 PLT		
24.	804-093C	WASHER FLAT 3/4 HARD ASTM F436		
25.	804-110C	WASHER BLADE 2ODX.56THKX.51ID		
26.	805-405C	PIN 1/4 X 1/2 COTTERLESS HITCH		
27.	807-068C	SPRING EXT BELT HANDLE		
28.	808-127C	B-GROOVE DRIVE PULLEY 6 O.D.	Razor ZSR60	
28.	808-366C	B-GROOVE PULLEY 5.5 OD	Razor ZSR54	
29.	808-129C	FLAT IDLER 6" PULLEY (6 3/4 OD)		
30.	808-414C	FLAT IIDLER PULLEY, 6.75 O.D.		
31.	816-783C	V-BELT, B-SEC, EL 158.00	Razor ZSR60 S/N 774684+	
31.	816-614C	RPBY 816-783C	Razor ZSR60 S/N 774683-	
31.	816-784C	V-BELT, B-SEC, EL 146.00	Razor ZSR54 S/N 774662+	
31.	816-639C	RPBY 816-784C	Razor ZSR54 S/N 774661-	
32.	817-028C	DOUBLE DISK ARM PIVOT BUSHINGS		
33.	822-006C	BRG BALL 30IDX62OD 206		
34.	822-161C	BRG 1.18IDX2.44OD 6206 W/SHLD		
35.	891-428C	MWR BLD 1/4X20.91 HL CW	Razor ZSR60 Standard	
35.	890-204C	MWR BLD 5/16X20 29/32SD LL CW	Razor ZSR60 Optional	
35.	890-702C	MWR BLD MULCH 1/4X20.91SD CW	Razor ZSR60 Optional	
35.	890-978C	MWR BLD 1/4X18.77SD MLS CW	Razor ZSR54 Standard	
35.	890-991C	MWR BLD MULCH 1/4X18.77SD CW	Razor ZSR54 Optional	
36.	357-628A	40/60" MWR BLADE KIT, MED LIFT	Razor ZSR60 Standard	
36.	310-466A	40/60" MWR BLADE KIT, LOW LIFT	Razor ZSR60 Optional	
36.	310-469A	40/60" MWR BLADE KIT, MULCH	Razor ZSR60 Optional	
36.	357-630A	54" MOWER BLADE KIT, MED LIFT	Razor ZSR54 Standard	
36.	357-631A	54" MOWER BLADE KIT, MULCH	Razor ZSR54 Optional	

Label Placement

Applies to RAZOR ZSR54, RAZOR ZSR60



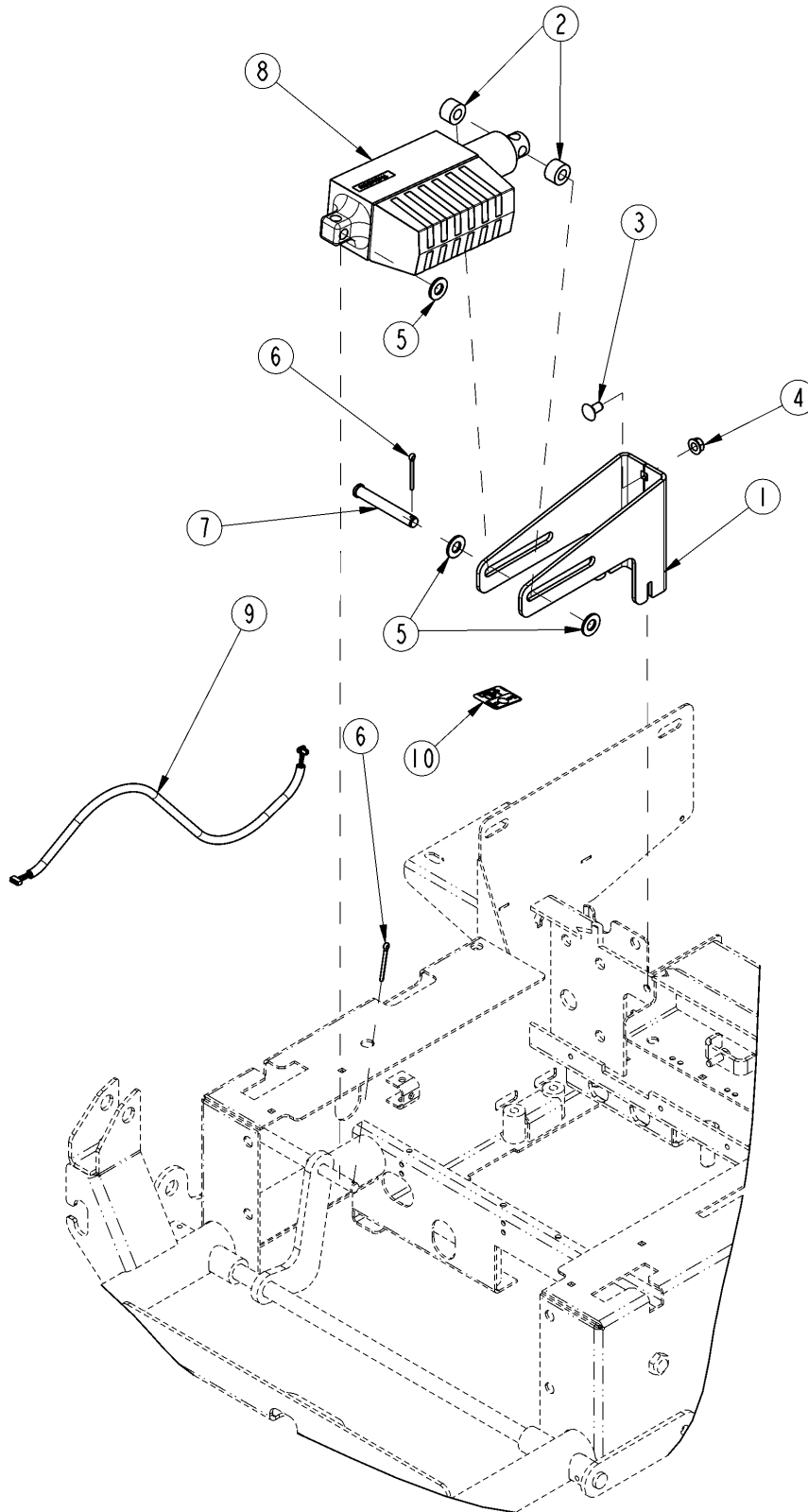
27798

Label Placement**Applies to RAZOR ZSR54, RAZOR ZSR60**

Ref	Part No.	Part Description	Comments	Revision
	dwg27798	Drawing Image Number		
1.	818-190C	DECAL FLAG		
2.	818-543C	DECAL DANGER PD GUARD MISS SML		
3.	838-303C	DECAL DANGER BATTERY		
4.	838-306C	DECAL WARNING DO NOT OPERATE		
5.	838-307C	DECAL MOVING PART HAZARD		
6.	838-308C	DECAL ROTATING BLADE HAZARD		
7.	838-310C	DECAL WARNING GEN SAFE MOWER		
8.	838-328C	DECAL BELT ROUTING Z60		
9.	838-444C	DECAL DANGER HOT		
10.	838-457C	DECAL DECK CUTTING HEIGHT RZR		
11.	838-785C	DECAL FUEL SELECTOR 3 WAY		
12.	838-811C	DECAL, RAZOR 2 CONTROL PANEL		
13.	838-812C	DECAL, PARK LEVER OPERATION		
14.	838-814C	DECAL, STEERING CONTROL		
15.	838-815C	DECAL, ROLLOVER HAZARD		
16.	838-829C	DECAL, CAUTION DO NOT PWR WASH		
17.	848-159C	DECAL LANDPRIDE 10" BROWN/GOLD		
18.	848-268C	DECAL, ZXT OPERATING		
19.	848-389C	DECAL, RAZOR SERVICE PARTS		
20.	848-457C	DECAL, RAZOR ZSR GOLD/RED		
21.	848-458C	DECAL, RAZOR ZSR GOLD/BLACK		
22.	848-459C	DECAL, ZSR60		
22.	848-460C	DECAL, ZSR54		

Deck Lift Electric

Applies to RAZOR ZSR54, RAZOR ZSR60



27792

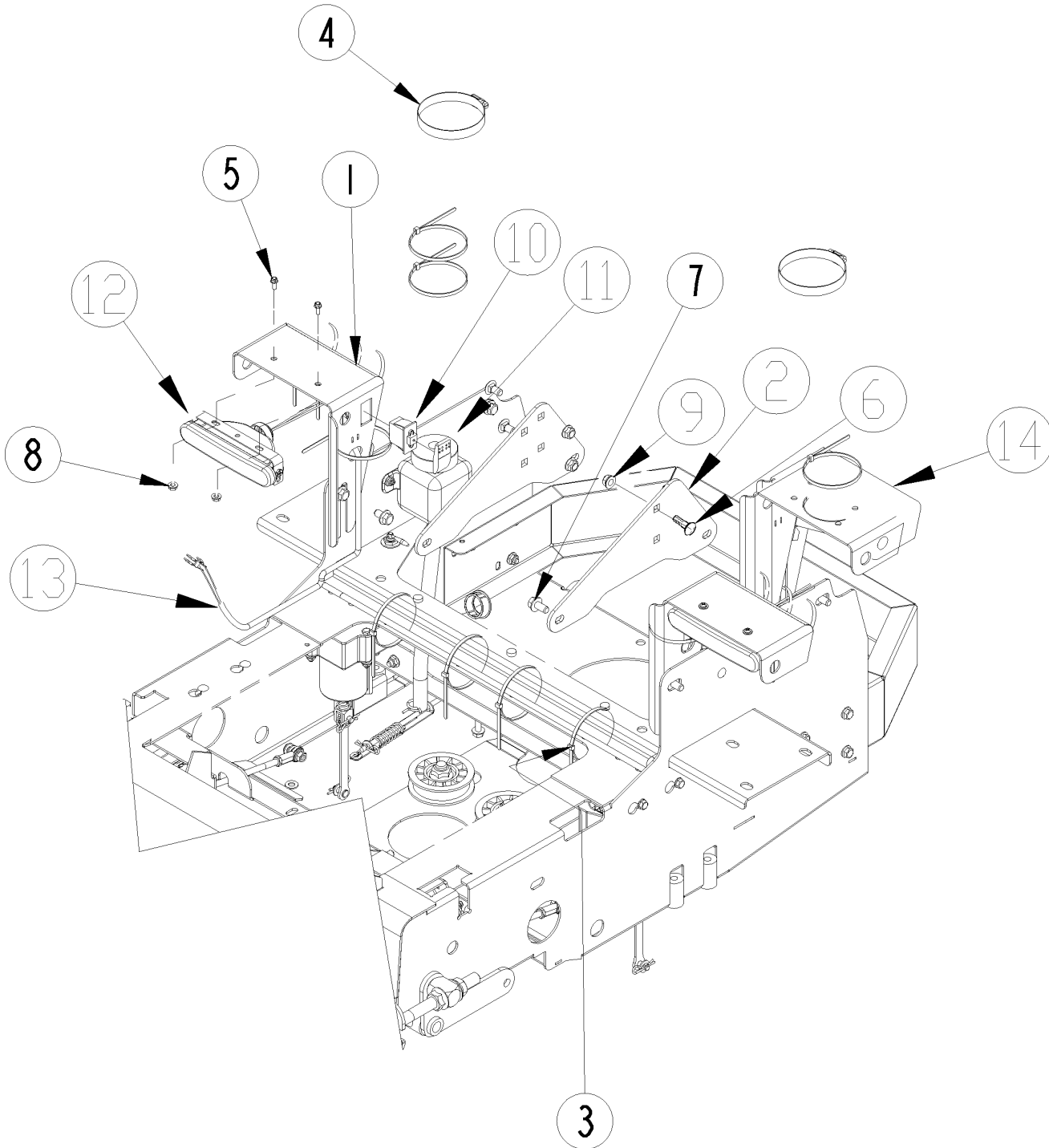
Deck Lift Electric**Applies to RAZOR ZSR54, RAZOR ZSR60**

Ref	Part No.	Part Description	Comments	Revision
	dwg27792	Drawing Image Number		
	357-371A	ELECTRIC DECK LIFT KIT, RAZOR *		
1.	357-370H	ELEC DECK LIFT BRACKET		
2.	357-859D	SPACER, 1ODX1/4WL		
3.	802-149C	RHSNB 3/8-16X3/4 GR5		
4.	803-068C	NUT HEX FLANGE 3/8-16 PLT		
5.	804-016C	WASHER FLAT 1/2 SAE PLT		
6.	805-089C	PIN COTTER 5/32 X 1 1/2 LONG		
7.	805-108C	PIN CLEVIS 1/2 X 3 1/2 PLT		
8.	833-466C	ELECT. LINEAR ACTUATOR 4IN STK		
9.	833-490C	HARNESS,ELECTRIC DECK LIFT		
10.	848-290C	DECAL, DECK LIFT, UP DOWN	Located by the Deck Cutting Height Decal	

Light Kit Z-Mowers

Applies to RAZOR ZSR54, RAZOR ZSR60

USED ONLY WHEN
MOUNTING TO ROPS



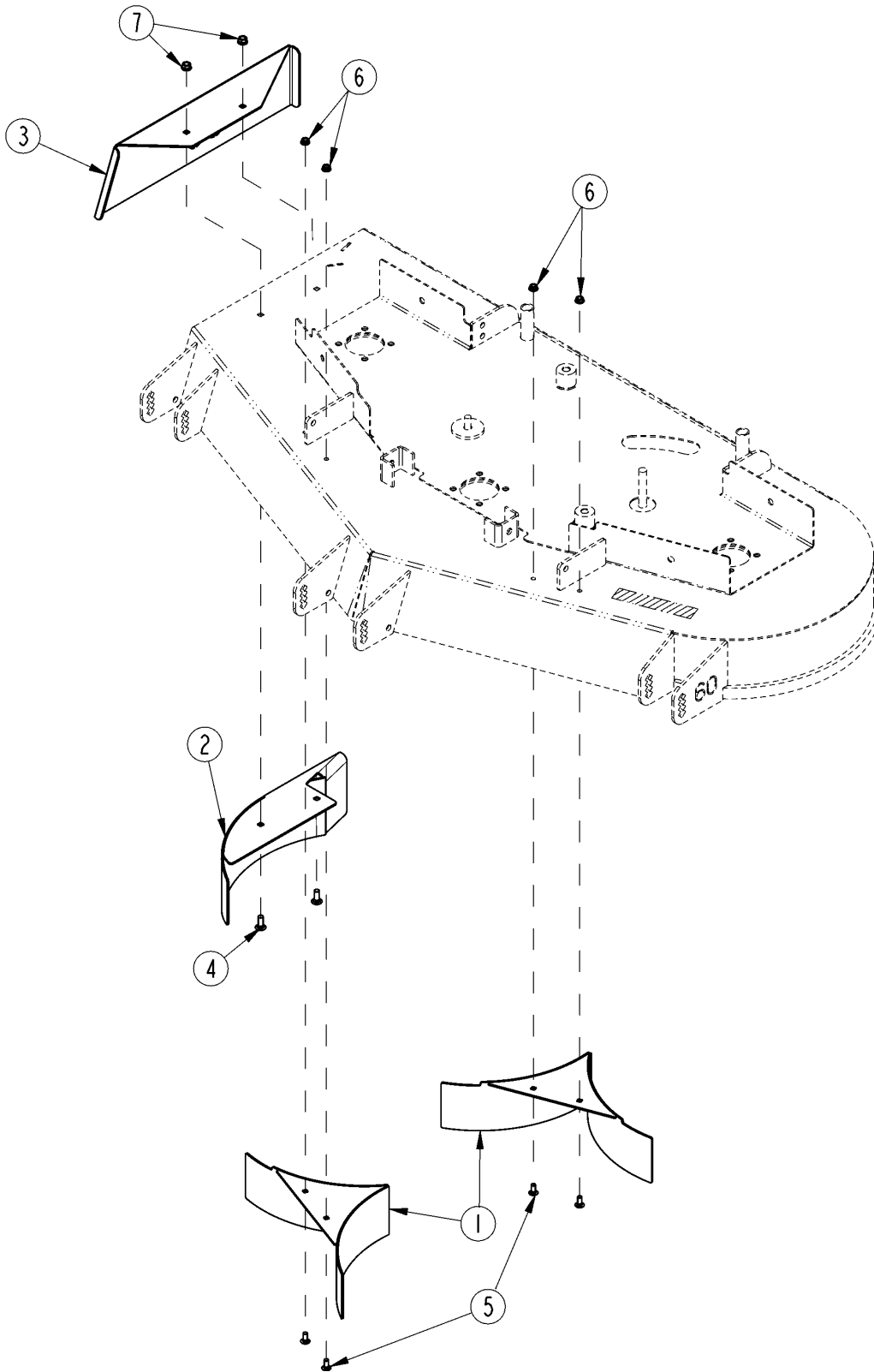
33569

Light Kit Z-Mowers**Applies to RAZOR ZSR54, RAZOR ZSR60**

Ref	Part No.	Part Description	Comments	Revision
	dwg33569 357-160A	Drawing Image Number LIGHT KIT, Z-MOWER *		
1.	357-450D	LIGHT BRCKT RH, Z MOWER		
2.	357-634D	ADAPTER PLATE LIGHT KIT		
3.	800-060C	CABLE TIE .19X14.25 3DIA 50LB		
4.	800-241C	CLAMP WRM DRV #48SS (1.63-3.5)		
5.	802-148C	HFSS 1/4-20X1/2 GR5		
6.	802-149C	RHSNB 3/8-16X3/4 GR5		
7.	802-185C	HFSS 3/8-16X3/4 LG		
8.	803-088C	NUT HEX LOCK 1/4-20 FLG		
9.	803-209C	NUT FLANGE LOCK 3/8-16 PLT		
10.	833-269C	SWITCH ROCKER SPST		
11.	833-271C	SWITCH ACTUATOR		
12.	833-275C	HEADLIGHT		
13.	833-444C	WIRE HARNESS,LIGHT KIT Z-MOWER		
14.	357-461D	LIGHT BRCKT LH, Z MOWER		

Mulch Kit

Applies to RAZOR ZSR54, RAZOR ZSR60



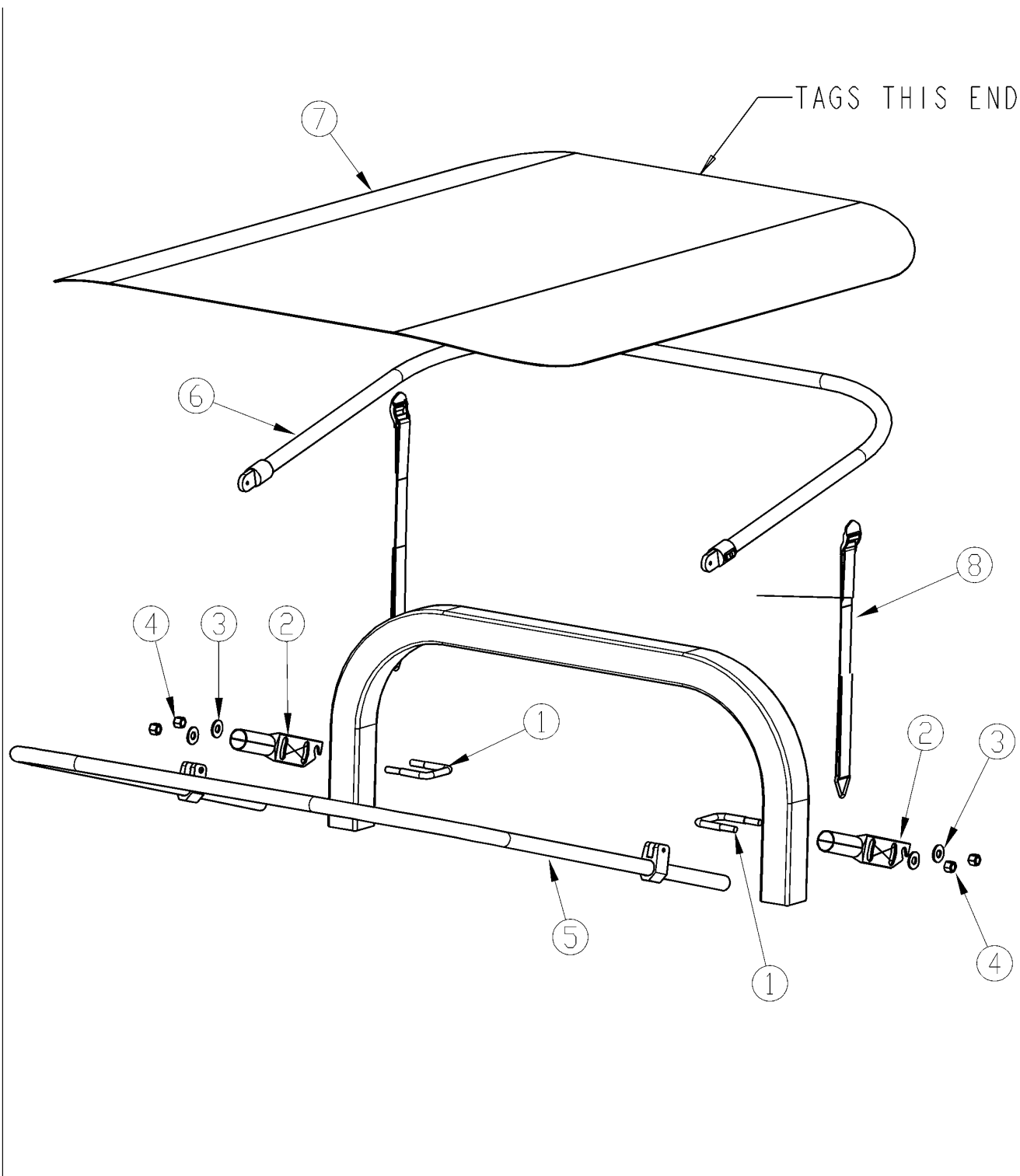
27801

Mulch Kit**Applies to RAZOR ZSR54, RAZOR ZSR60**

Ref	Part No.	Part Description	Comments	Revision
	dwg27801	Drawing Image Number		
	357-358A	MULCH KIT, 60 IN RAZOR		
	357-361A	MULCH KIT, 54 IN RAZOR		
		*		
1.	357-356H	MULCH BAFFLE, 60 IN, RAZOR		
1.	357-359H	MULCH BAFFLE, 54 IN, RAZOR		
2.	357-357H	MULCH PLUG, 60 IN, RAZOR		
2.	357-360H	MULCH PLUG, 54 IN, RAZOR		
3.	357-940D	MULCH PLUG COVER, 60		
3.	357-939D	MULCH PLUG COVER, 54		
4.	802-015C	RHSNB 3/8-16X1 GR5		
5.	802-282C	RHSNB 5/16-18X1 GR5		
6.	803-043C	NUT HEX WHIZ 5/16-18 PLT		
7.	803-209C	NUT FLANGE LOCK 3/8-16 PLT		

Soft Top Canopy

Applies to RAZOR ZSR54, RAZOR ZSR60



33570

Soft Top Canopy

Applies to RAZOR ZSR54, RAZOR ZSR60

Ref	Part No.	Part Description	Comments	Revision
	dwg33570 357-194A	Drawing Image Number ZT SOFT TOP SUN CANOPY GREY *		
1.	3-18000	U-BOLT SQ. 2X3X2		
2.	3-18713	TUBE MOUNTING 2" ROTATE		
3.	3-10086	3/8 WASHER		
4.	3-10073	3/8 NYLOCK		
5.	3-18638	TUBE FRONT HINGED		
6.	3-18641	TUBE REAR HINGED		
7.	3-18642	COVER FABRIC GREY		
8.	3-18644	STRAP ASSEMBLY		



Part Number Index

The Part Number Index is a numeric index of all part numbers included in this manual. The index shows what page(s) the part is used on.

Part Number	Page	Part Number	Page	Part Number	Page	Part Number	Page
11010-7028	33	357-349H	49	801-078C	7	803-088C	27, 57
11011-7056	33	357-352H	49	801-198C	21	803-094C	17
11055-7011-9H	33	357-356H	59	801-202C	11, 13	803-114C	51
11055-7012-9H	33	357-357H	59	801-205C	35, 37, 39	803-115C	51
11065-7025	33	357-358A	59	801-225C	15	803-119C	51
11065-7031	33	357-359H	59	802-010C	17	803-148C	17, 31
11065-7032	33	357-360H	59	802-012C	35	803-169C	7, 11, 13, 47, 49
130AA0616	33	357-361A	59	802-013C	35	803-177C	31, 35
172-242D	51	357-370H	55	802-015C	49, 59	803-178C	49
203238	43	357-371A	55	802-017C	49	803-196C	19
204184	43	357-378S	45	802-022C	37, 39	803-198C	19, 51
230024700	9	357-403D	17	802-024C	17	803-199C	21
230321672	9	357-420A	9	802-039C	9	803-209C	7, 15, 47, 49, 57, 59
3-10073	61	357-450D	57	802-042C	9	803-214C	19
3-10086	61	357-455D	31	802-055C	31, 51	803-220C	37, 39
3-18000	61	357-461D	57	802-058C	51	803-230C	11, 13, 17
3-18638	61	357-501A	43	802-079C	37, 39	803-263C	31, 51
3-18641	61	357-526D	47	802-082C	49	803-270C	31
3-18642	61	357-618D	35, 37, 39	802-092C	11, 13, 21	803-275C	19
3-18644	61	357-619D	35, 37, 39	802-099C	9	803-293C	31, 35, 37
3-18713	61	357-628A	51	802-113C	19, 49	803-326C	21
310-095H	51	357-630A	51	802-137C	49	803-329C	31, 45
310-466A	51	357-631A	51	802-148C	57	803-333C	9
310-469A	51	357-634D	57	802-149C	7, 47, 55, 57	804-006C	21
310-630D	51	357-722D	49	802-155C	15	804-007C	21, 31
356-074D	11, 13	357-728D	15	802-179C	19	804-012C	17
356-137S	41, 43	357-729D	21	802-185C	11, 13, 47, 57	804-013C	37, 39
357-001H	19	357-756D	17	802-190C	35	804-014C	35, 37, 39, 51
357-002D	19	357-759D	15	802-218C	47, 49	804-016C	11, 13, 19, 49, 55
357-002H	17	357-781D	19	802-225C	31	804-017C	47
357-009H	19	357-782D	47	802-227C	9	804-019C	19
357-014D	21	357-783D	11, 13	802-229C	51	804-021C	17
357-019D	19	357-803D	49	802-232C	21	804-022C	51
357-020D	19	357-804D	49	802-257C	21	804-036C	11, 13, 15, 17, 21
357-021D	19	357-805D	49	802-258C	11, 13	804-041C	9
357-024H	51	357-806D	49	802-270C	35	804-046C	35, 37, 39
357-042H	17	357-817D	49	802-282C	59	804-054C	15, 35, 37, 39
357-064S	51	357-818D	49	802-338C	51	804-056C	11, 13
357-089S	19	357-851D	17	802-371C	47	805-093C	51
357-111D	47	357-852D	11, 13	802-387C	47, 49	804-110C	51
357-112D	21	357-854D	47	802-431C	7	804-156C	19
357-120D	47	357-855D	27	802-439C	31	804-221C	35
357-149D	19	357-859D	55	802-459C	37	804-231C	35, 37, 39
357-160A	57	357-939D	59	802-468C	47	805-010C	31
357-179D	7	357-940D	59	802-567C	51	805-063C	15
357-181D	31	358-079D	35, 37, 39	802-568C	7	805-089C	55
357-184L	31	358-399D	31	802-569C	17	805-106C	19
357-186V	7	52027	29	802-633C	11, 13, 17, 27, 31, 35, 37	805-108C	55
357-194A	61	52114	29	802-674C	19	805-143C	47
357-224H	51	52639	29	802-698C	51	805-307C	31
357-234S	51	53019	29	802-732C	41, 43	805-400C	15
357-239H	7	53699	29	802-745C	49	805-405C	51
357-240S	7	711935272	9	802-747C	11, 13	807-068C	51
357-279D	51	71410	29	802-794C	11, 13, 49	807-096C	13
357-280D	51	71691	29	802-814C	19	807-113C	19
357-282D	49	72124	29	802-862C	35, 37, 39	807-119C	15, 47
357-314H	11, 13	800-001C	51	802-889C	17	807-221C	11
357-315H	11, 13	800-060C	57	802-923C	35, 37, 39	807-240C	19
357-316H	31	800-080C	19, 49	803-001C	15, 35, 37, 39	807-244C	15
357-317H	7	800-099C	51	803-008C	35	807-280C	17
357-322H	17	800-120C	17, 47	803-011C	11, 13	807-288C	11, 13
357-324H	15	800-234C	19	803-012C	19	808-127C	51
357-325S	31	800-241C	57	803-019C	9	808-129C	51
357-328H	47	800-243C	41, 43	803-043C	59	808-366C	51
357-329H	47	800-303C	25, 41, 43	803-052C	19, 49	808-375C	31
357-330H	49	800-321C	31	803-059C	49	808-402C	35, 37, 39
357-331H	49	800-356C	41, 43	803-068C	7, 55	808-414C	51
357-332H	47	800-383C	17	803-078C	17	814-350C	47
357-334S	49	800-412C	43	803-084C	11, 13, 17, 21, 49	814-364C	45
357-335S	49	801-031C	21				

Table of Contents Part Number Index



Part Number Index (continued)

Part Number	Page	Part Number	Page	Part Number	Page
814-377C	45	833-444C	57	dwg27761	41
816-298C	49	833-457C	21	dwg27771	49
816-461C	17	833-465C	25	dwg27772	51
816-483C	49	833-466C	55	dwg27789	23
816-527C	41, 43	833-490C	55	dwg27792	55
816-537C	49	833-503C	17	dwg27794	47
816-614C	51	833-504C	27	dwg27795	31
816-616C	31	833-506C	25	dwg27796	45
816-639C	51	833-507C	23	dwg27797	35
816-779C	31	833-556C	35, 37	dwg27798	53
816-783C	51	838-303C	53	dwg27799	9
816-784C	51	838-306C	53	dwg27801	59
817-028C	17, 31, 51	838-307C	53	dwg27808	37
817-033C	19	838-308C	53	dwg27810	39
817-246C	15	838-310C	53	dwg27824	25
817-560C	11, 13, 15	838-328C	53	dwg27850	33
817-581C	49	838-444C	53	dwg27879	29
817-618C	17	838-457C	53	dwg30035	13
817-630C	41	838-785C	53	dwg30754	43
817-631C	19	838-811C	53	dwg33569	57
817-749C	31	838-812C	53	dwg33570	61
817-755C	17	838-814C	53	N/A	9, 21, 33, 43
817-760C	41	838-815C	53	TR-412	45
817-761C	41	838-829C	53		
817-818C	47	839-049C	39		
817-887C	43	839-148C	11, 13		
817-888C	43	839-320C	11, 13		
817-995C	43	839-383C	37		
817-996C	43	839-385C	11, 13		
818-190C	53	839-411C	11, 13		
818-543C	53	839-416C	11, 13		
822-006C	51	839-971C	11, 13		
822-111C	47	840-262C	11, 13		
822-161C	51	840-272C	9		
823-302C	9	840-310C	11, 13		
823-391C	9	848-159C	53		
826-535C	35	848-268C	53		
826-544C	35	848-290C	55		
826-613C	39	848-389C	53		
826-620C	35	848-457C	53		
826-638C	37, 39	848-458C	53		
826-640C	37	848-459C	53		
826-728C	35	848-460C	53		
829-127C	35	87040	47		
829-128C	37, 39	87412	47		
829-129C	41, 43	890-058C	49		
830-009C	43	890-106C	35, 37, 39		
831-031C	41, 43	890-115C	35, 37, 39		
831-035C	41, 43	890-204C	51		
831-053C	35	890-702C	51		
831-054C	35	890-907C	19, 49		
831-071C	29, 31	890-947C	35		
831-072C	29, 31	890-950C	31		
831-073C	37, 39	890-957C	17		
831-074C	37	890-978C	51		
831-075C	33	890-982C	35, 37, 39		
831-076C	33	890-991C	51		
831-099C	37	891-140C	17		
833-019C	21	891-227C	35, 37, 39		
833-269C	57	891-230C	35, 37, 39		
833-271C	57	891-428C	51		
833-275C	57	92171-7007	33		
833-336C	21	92192-7147	33		
833-341C	15	990-225R	41, 43		
833-342C	21	990-249R	35, 37, 39		
833-350C	21	dwg27743	11		
833-351C	21	dwg27744	7		
833-352C	21	dwg27745	17		
833-405C	35, 37	dwg27746	19		
833-414C	35, 37	dwg27748	21, 27		
833-419C	37, 39	dwg27749	15		



Great Plains Manufacturing, Inc.

Corporate Office: P.O. Box 5060
Salina, Kansas 67402-5060 USA

www.landpride.com
